

Technical Data Sheet

Strike Mini Basin Mixer - TSE61

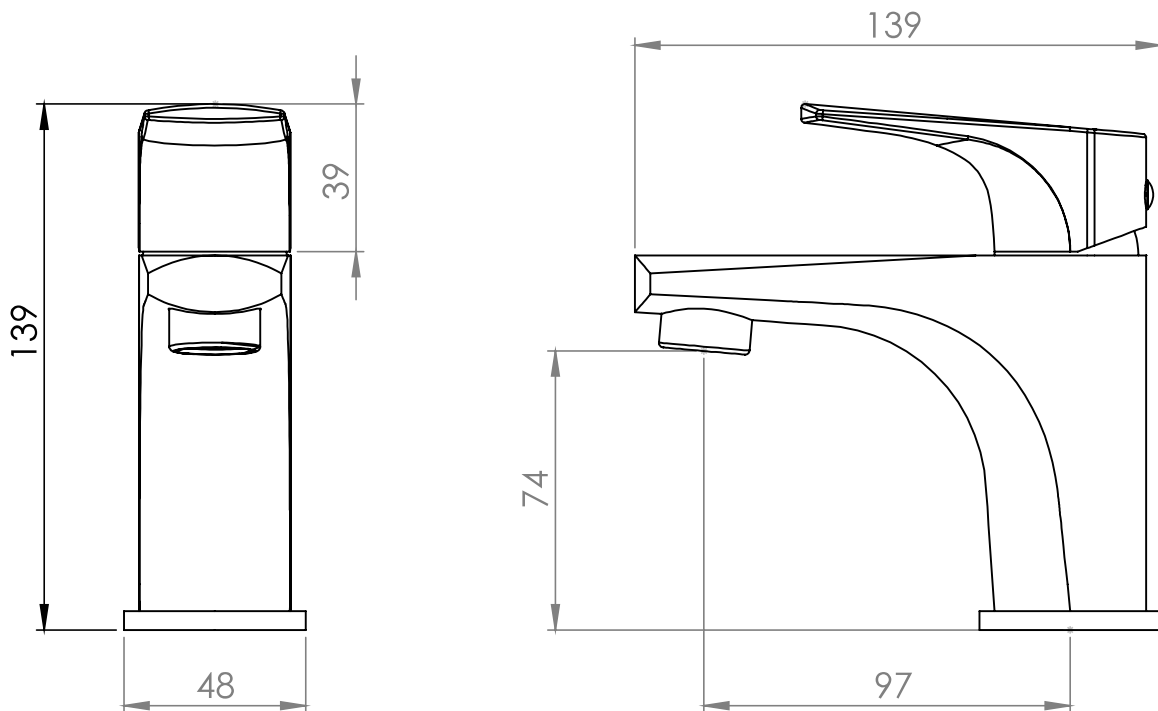
No.	Description	Code	Fixings Included
1	Strike Mini Basin Mixer	TSE61	YES



Min Pressure:	0.3bar
0.2bar	4.7 litres / min
0.3bar	5.5 litres / min
0.4bar	6.0 litres/min
0.5bar	6.8 litres / min
1bar	9.2 litres / min
2bar	12.5 litres / min
3bar	15.2 litres / min

Dimensions - TSE61

Diagrams not to scale. All dimensions in mm (tolerance of +/-5mm)



*Dimensions are subject to change, customers are advised to measure actual product before commencing installation.

FAQs

What is the size of the tap tail connection? The tap tails have a standard 1/2" BSP fixing.

What bore is the tap tail? The tails have a 10mm internal bore.

What length are the tap tails? The tails are 300mm in length.

Does the tap come fitted with an aerator? Yes.