

# Technical Data Sheet

## Signal Mini Basin Mixer - TGN61

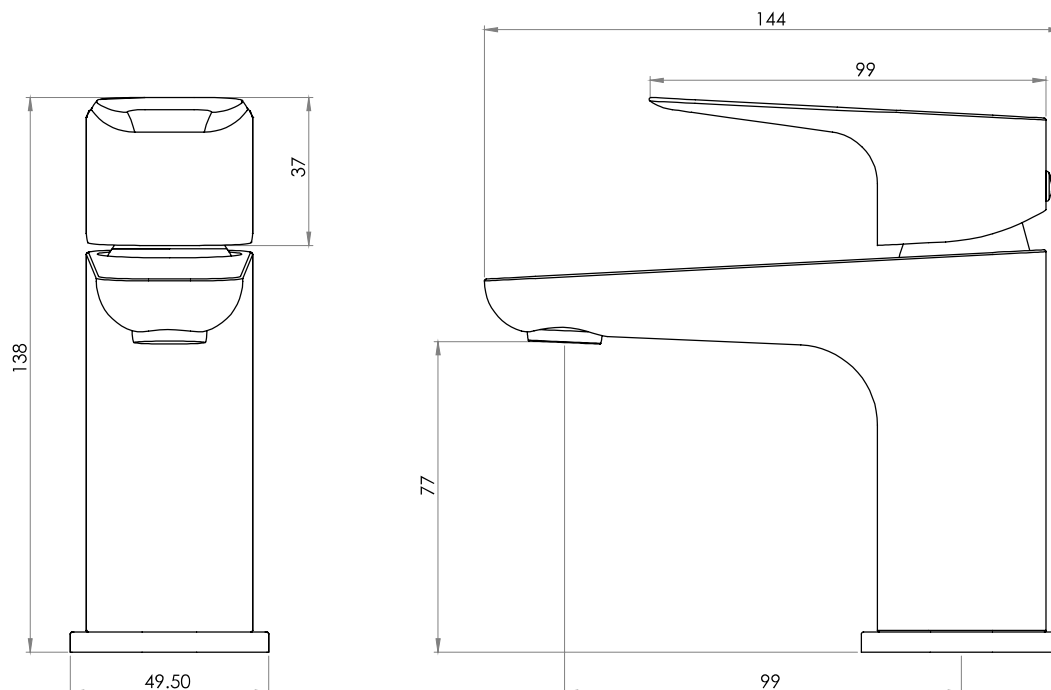
No.	Description	Code	Fixings Included
1	Signal Mini Basin Mixer	TGN61	YES



Min Pressure:	0.3bar
0.1bar	4.2 litres / min
0.3bar	7.1 litres / min
0.4bar	8.4 litres/min
0.5bar	9.4 litres / min
1bar	13.8 litres / min
2bar	19.6 litres / min
3bar	23.0 litres / min

### Dimensions - TGN61

Diagrams not to scale. All dimensions in mm (tolerance of +/-5mm)



\*Dimensions are subject to change, customers are advised to measure actual product before commencing installation.

### FAQs

**What is the size of the tap tail connection?** The tap tails have a standard 1/2" BSP fixing.

**What bore is the tap tail?** The tails have a 10mm internal bore.

**What length are the tap tails?** The tails are 300mm in length.

**Does the tap come fitted with an aerator?** Yes.