

# Technical Data Sheet

## Signal Basin Mixer - TGN11

**TAVISTOCK**  
inspiring bathrooms

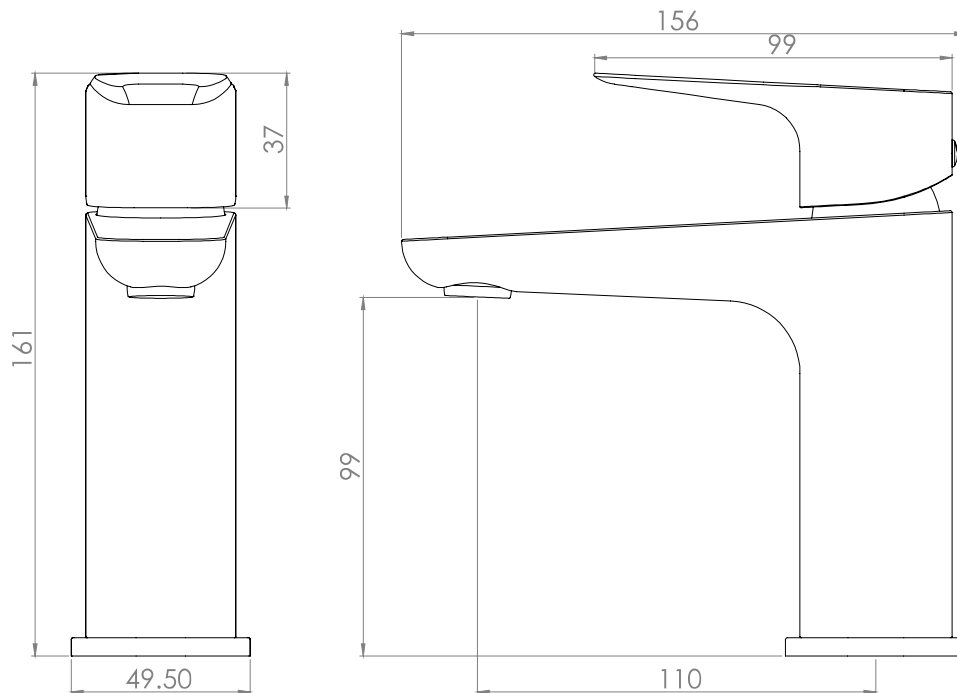
No.	Description	Code	Fixings Included
1	Signal Basin Mixer	TGN11	YES



Min Pressure:	0.3bar
0.1bar	2.8 litres / min
0.3bar	4.9 litres / min
0.4bar	5.7 litres/min
0.5bar	6.3 litres / min
1bar	8.8 litres / min
2bar	12.4 litres / min
3bar	15.2 litres / min

### Dimensions - TGN11

Diagrams not to scale. All dimensions in mm (tolerance of +/-5mm)



\*Dimensions are subject to change, customers are advised to measure actual product before commencing installation.

### FAQs

**What is the size of the tap tail connection?** The tap tails have a standard 1/2" BSP fixing.

**What bore is the tap tail?** The tails have a 10mm internal bore.

**What length are the tap tails?** The tails are 300mm in length.

**Does the tap come fitted with an aerator?** Yes.