

# Technical Data Sheet

## Adapt Basin Mixer - TAD11

**TAVISTOCK**  
inspiring bathrooms

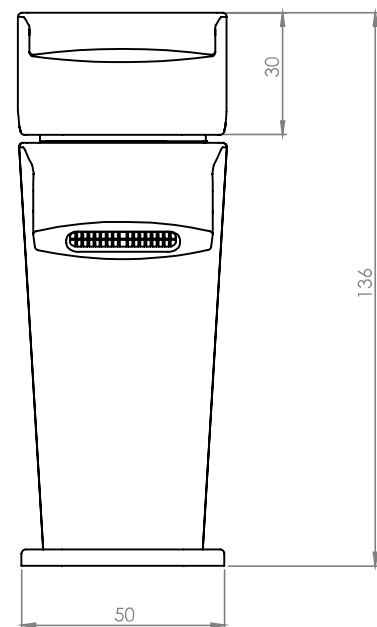
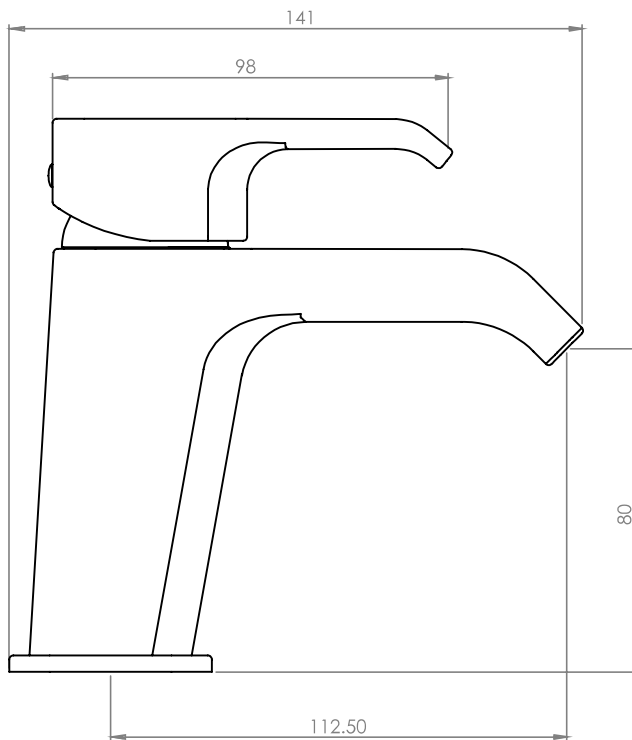
No.	Description	Code	Fixings Included
1	Adapt Basin Mixer	TAD11	YES



Min Pressure:	0,3bar
0.1bar	3.9 litres / min
0.3bar	6.3 litres / min
0.5bar	8.2 litres / min
1bar	11.7 litres / min
2bar	16.6 litres / min

### Dimensions - TAD11

Diagrams not to scale. All dimensions in mm (tolerance of +/-5mm)



\*Dimensions are subject to change, customers are advised to measure actual product before commencing installation.

### FAQs

**What is the size of the tap tail connection?** The tap tails have a standard 1/2" BSP fixing.

**What bore is the tap tail?** The tails have a 10mm internal bore.

**What length are the tap tails?** The tails are 300mm in length.

**Does the tap come fitted with an aerator?** Yes, the aerator comes pre-installed but can be replaced.