

Technical Data Sheet

Shower Systems

TAVISTOCK

| No. | Description | Code | Fixings Included |
|-----|-------------------------------------|---------|------------------|
| 1 | Quantum Cool Touch 1F Shower System | SQT2416 | YES |



Key Features:

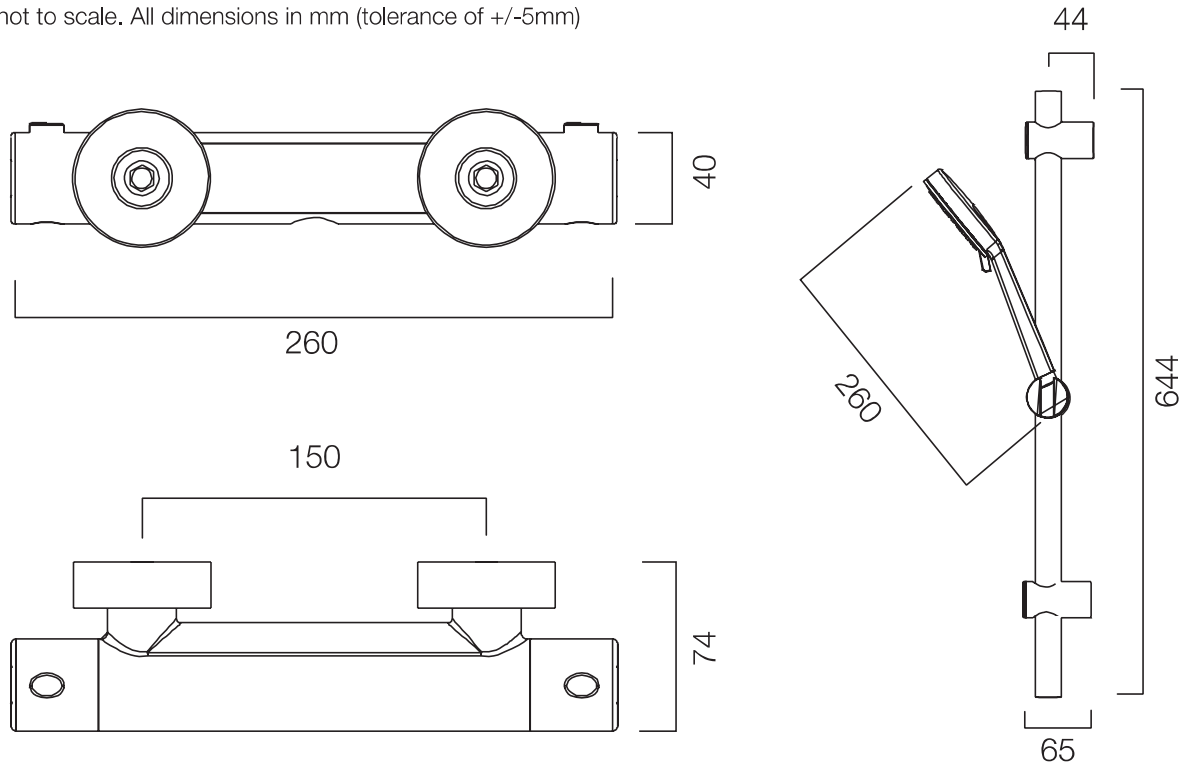
- Multi function shower handset
- Automatic shut off if cold water fails
- Anti-scald thermostatic control
- Cool touch valve reduces scalding
- Built in limescale resistance
- Easy fit compression fixing kit
- Stainless steel riser rail
- Easy clean PVC hose

| Inlet Pressure | Flow Rate (l/min) |
|----------------|-------------------|
| 1bar | 11.5 |
| 2bar | 15.5 |
| 3bar | 19 |
| 4bar | 22 |
| 5bar | 25 |

Flow from valve may vary depending on accessories and domestic supply.

Dimensions - Overview

Diagrams not to scale. All dimensions in mm (tolerance of +/-5mm)



FAQs

How tall is the riser rail? 644mm with adjustable wall fixing bracket

How long is the shower hose? 1.5m

What is the minimum pressure for the valve? 1.0bar

What is the valve connection size? 1/2" suitable for 15mm pipework

What is the diameter of the riser rail? 25mm

Component Materials:

Shower Hose: Silver PVC with EDPM washers

Riser Rail: Stainless steel with ABS wall brackets and slider

Wall Covers: Chromed ABS

Bar Valve: Chrome plated brass

Shower Handset: Chromed ABS