

Technical Data Sheet

Shower Systems

TAVISTOCK

No.	Description	Code	Fixings Included
1	Axiom Dual Function Shower System w/ Riser Kit	SAX2516	YES

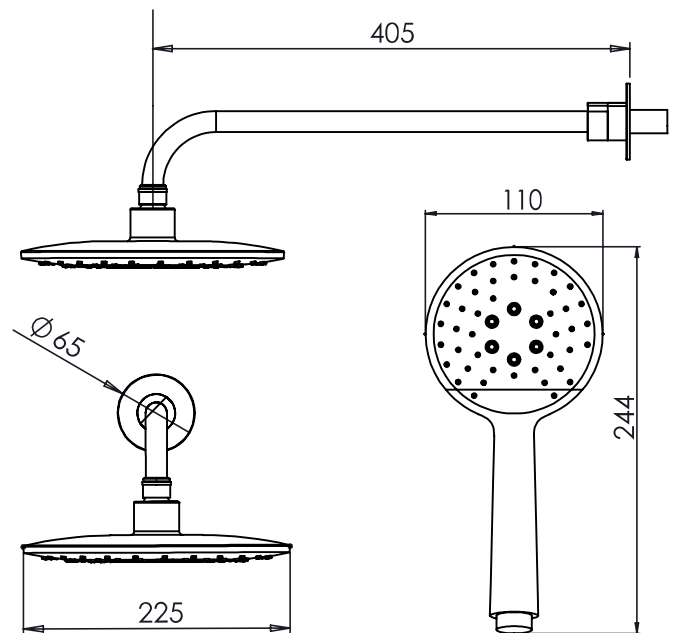
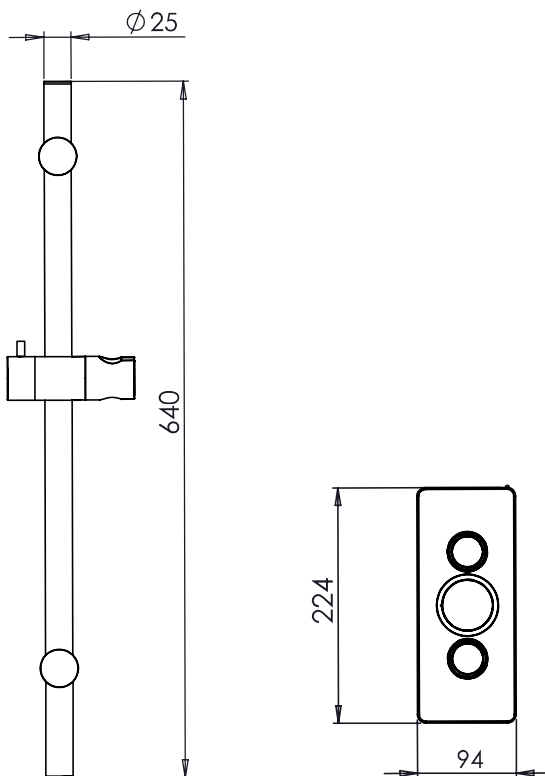


Inlet Pressure	Flow Rate (l/min)
1bar	9.7
2bar	14
3bar	17
4bar	19
5bar	21

Flow from valve may vary depending on accessories and domestic supply.

Dimensions - Overview

Diagrams not to scale. All dimensions in mm (tolerance of +/-5mm)



FAQs

How tall is the riser rail? Adjustable - Max Height: 640mm

How long is the shower hose? 1.5m

What is the minimum pressure for the valve? 1.0bar

What is the valve connection size? 1/2" BSP- suitable for 15mm pipework