

Technical Data Sheet

Shower Systems

TAVISTOCK

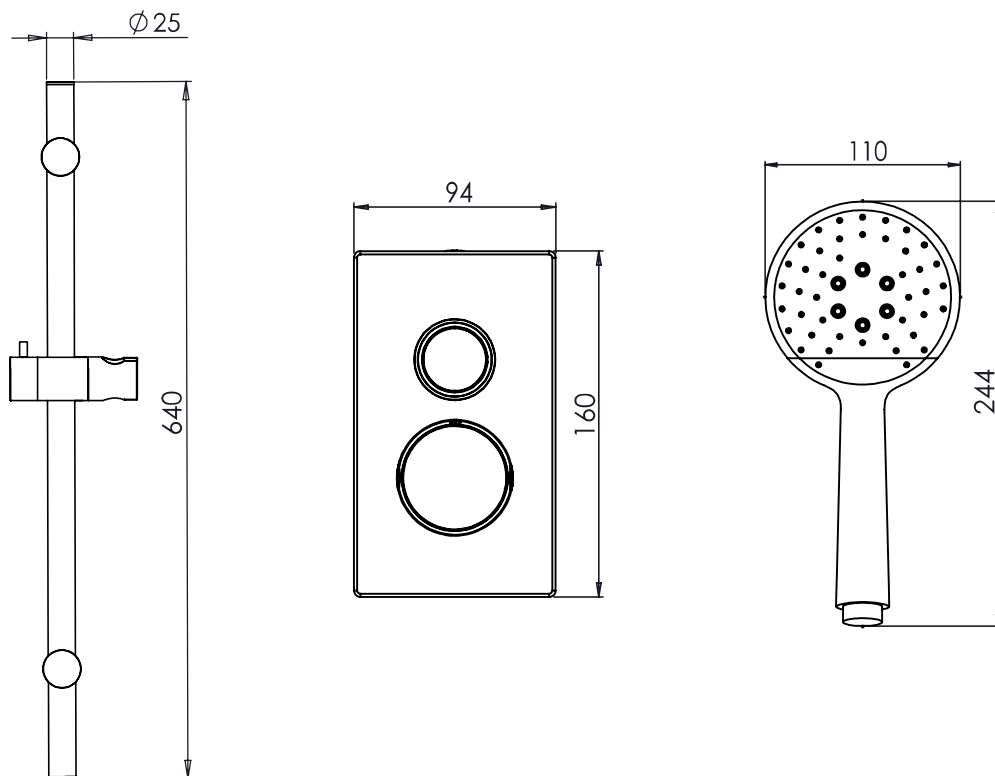
No.	Description	Code	Fixings Included
1	Axiom Single Function Push Button Valve	SAX2316	YES



Inlet Pressure	Flow Rate (l/min)
0.5bar	7.2
1bar	10.6
2bar	14.5
3bar	17.6
4bar	20.2
5bar	22.1

Flow from valve may vary depending on accessories and domestic supply.

Dimensions - Overview



FAQs

How tall is the riser rail? Adjustable - Max Height: 640mm

How long is the shower hose? 1.5m

What is the minimum pressure for the valve? 0.5bar

What is the valve connection size? 1/2" suitable for 15mm pipework