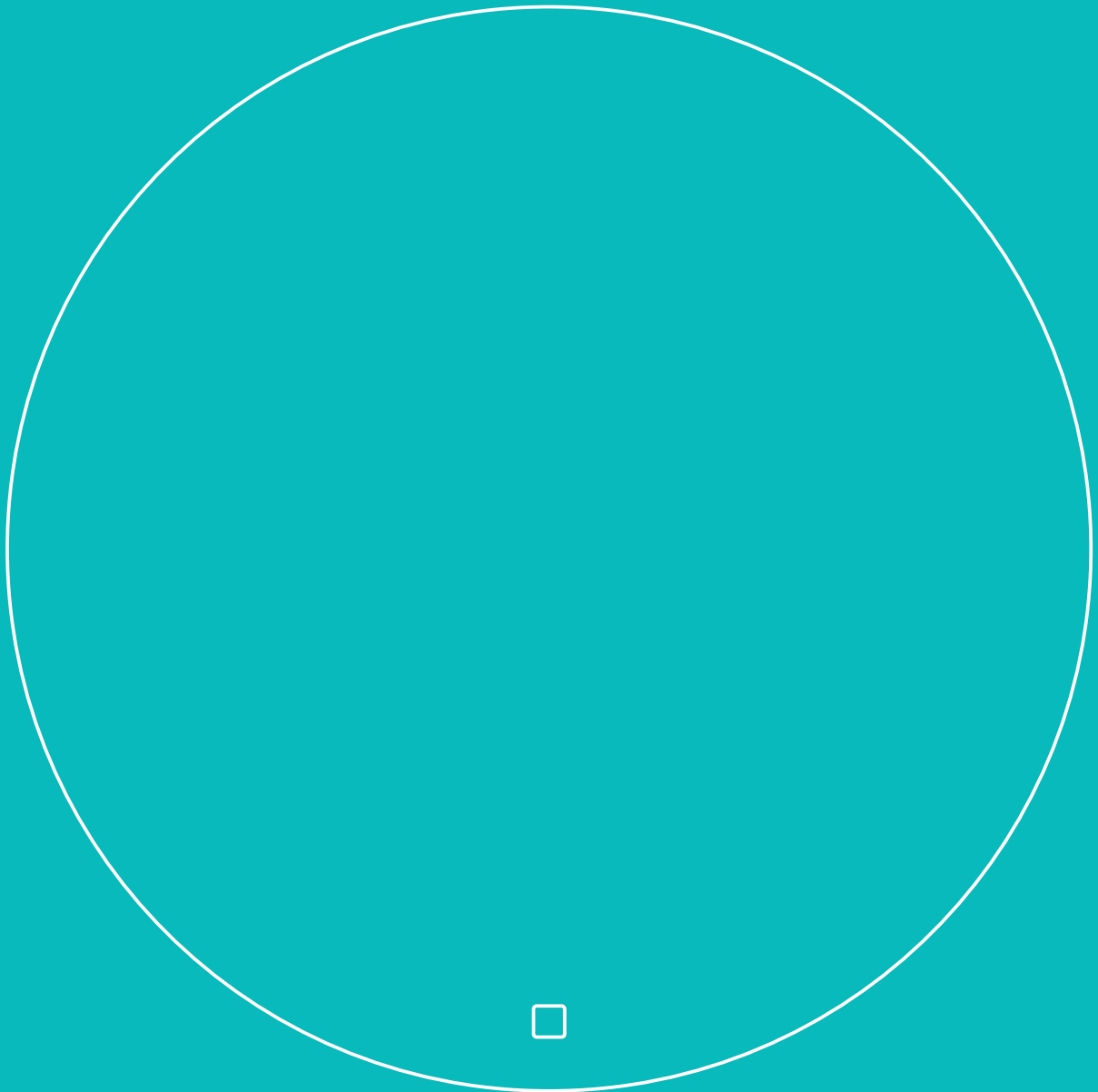


**HiB**

MAKING  
**BATHROOMS**  
BEAUTIFUL

**Technical Drawing &  
FAQ Data Sheets**

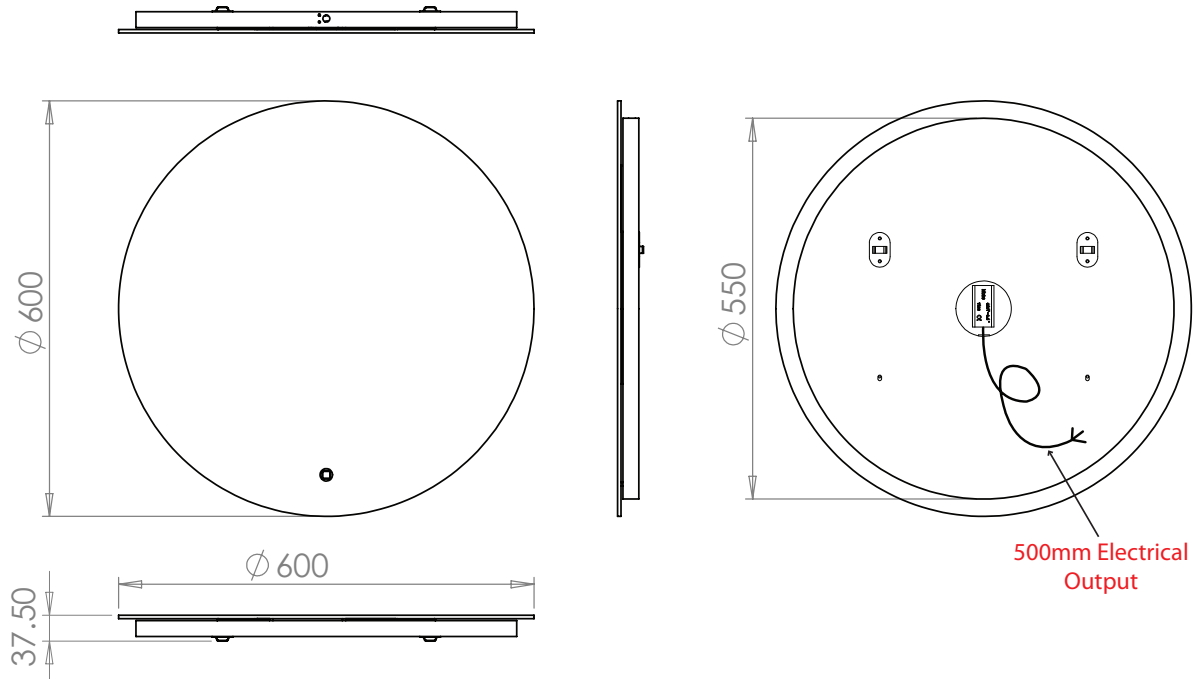


**Theme 60  
Theme 80**

HiB recommend you receive the product before commencing with installation as all sizes and measurements are approximate.  
HiB try and ensure all measurements are as accurate as possible.  
In the interest of continuous product development, HiB reserves the right to alter specification as necessary. E & OE.

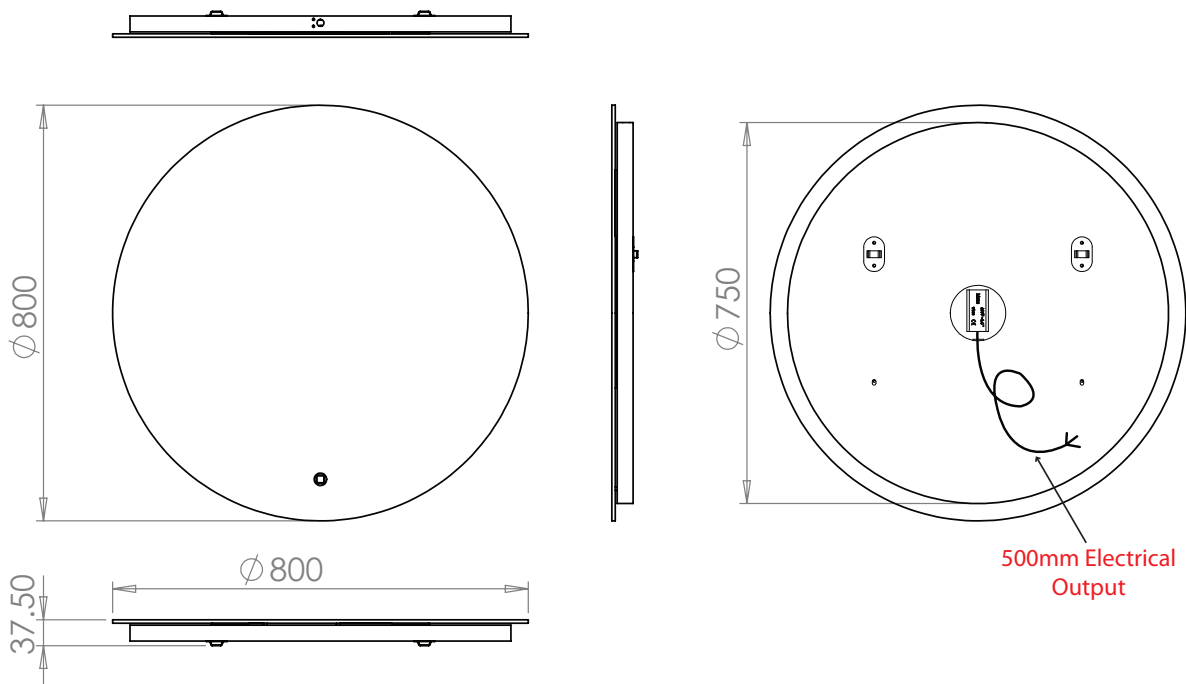
## Theme 60

Art no. 79110000



## Theme 80

Art no. 79120000



### Electrical Safety Information

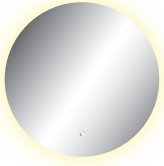
HiB recommends that all electrical bathroom products should only be fitted by a suitably qualified, Part P registered electrician in accordance with current IEE regulations.

Ensure mains power supply is switched off before starting installation.

Before drilling, ensure there are no hidden cables or pipes in the wall.

# Theme 60 & 80

Version No. 24.07.17

	Product	Theme 60 & Theme 80
	Art. No.	Theme 60: 79110000 & Theme 80: 79120000
	Product Description	Ambient round LED colour temperature changing mirror with steam free feature.

Question	Answer
Nett weight (kg)	Theme 60: 6.96KG / Theme 80: 11.19KG
Light Source	LED
Light Source Average Lifespan	Average: 30,000 hr
Total Rated Wattage (W)	Theme 60: 35W / Theme 80: 55W
Lumens (Lm)	Theme 60: 840lm / Theme 80: 1152lm
Kelvins (k)	Theme 60 & 80: 2700k - 6500k
Is the mirror dimmable?	No
Energy Rating	Class A
Is the heated pad only on when the mirror is illuminated?	Yes
Does the mirror require an earth connection?	No
Can I bypass the sensor so the mirror comes on with the main room light?	No
Is it cool white or warm white illumination?	Both - the mirror is colour temperature changing
What IP rating is the mirror?	All Theme mirrors are IP44 rated
Is the touch switch light on the mirror always on?	Yes
How long is the warranty?	5 years from date of purchase on silvering coating on mirror 2 years from date of purchase on electrical components in the mirror

### Electrical Safety Information

HiB recommends that all electrical bathroom products should only be fitted by a suitably qualified, Part P registered electrician in accordance with current IEE regulations.

Ensure mains power supply is switched off before starting installation.

Before drilling, ensure there are no hidden cables or pipes in the wall.

**HiB recommend you receive the product before commencing with installation as all sizes and measurements are approximate.**

**HiB try and ensure all measurements are as accurate as possible.**

**In the interest of continuous product development, HiB reserves the right to alter specification as necessary. E & OE.**

T: +44 (0)20 8441 0352 F: +44 (0)208441 0219 E: sales@hib.co.uk W: hib.co.uk

HiB Ltd. Building 3, North London Business Park, Oakleigh Road South, New Southgate, London. N11 1GN