

# Technical Data Sheet

Ashmore Basin Mixer With Click Waste - TAM11

**TAVISTOCK**  
inspiring bathrooms

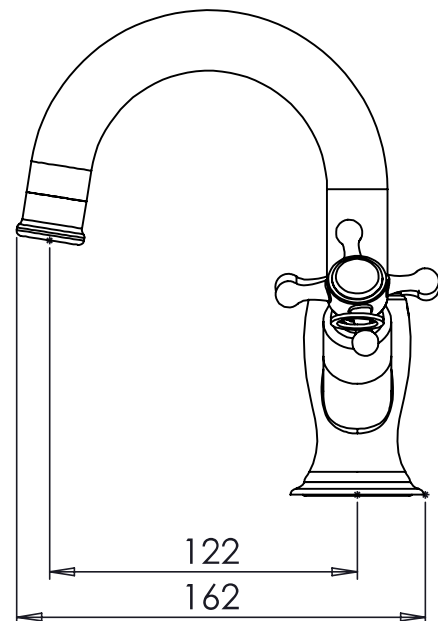
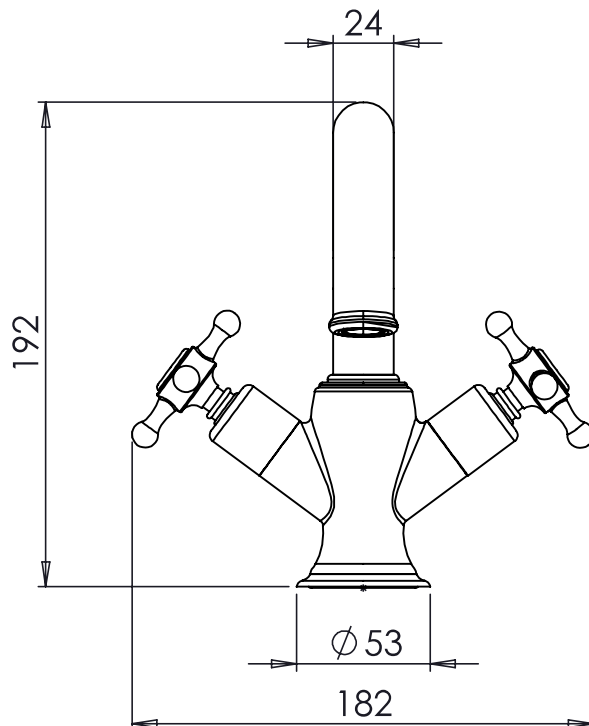
No.	Description	Code	Fixings Included
1	Ashmore Basin Mixer With Click Waste	TAM11	YES



Min Pressure:	0.2bar
0.2bar	7.5 litres / min
0.3bar	9.5 litres / min
0.4bar	11 litres / min
0.5bar	12.5 litres / min
1bar	18 litres / min
2bar	25 litres / min

## Dimensions:

Diagrams not to scale. All dimensions in mm (tolerance of +/-5mm)



\*Dimensions are subject to change, customers are advised to measure actual product before commencing installation.

## FAQs

**What is the size of the tap tail connection?** The tap tails have a standard 1/2" BSP fixing.

**What bore is the tap tail?** The tails have a 10mm internal bore.

**What length are the tap tails?** The tails are 300mm in length.

**Does the tap come fitted with an aerator?** Yes, the aerator comes pre-installed but can be replaced.