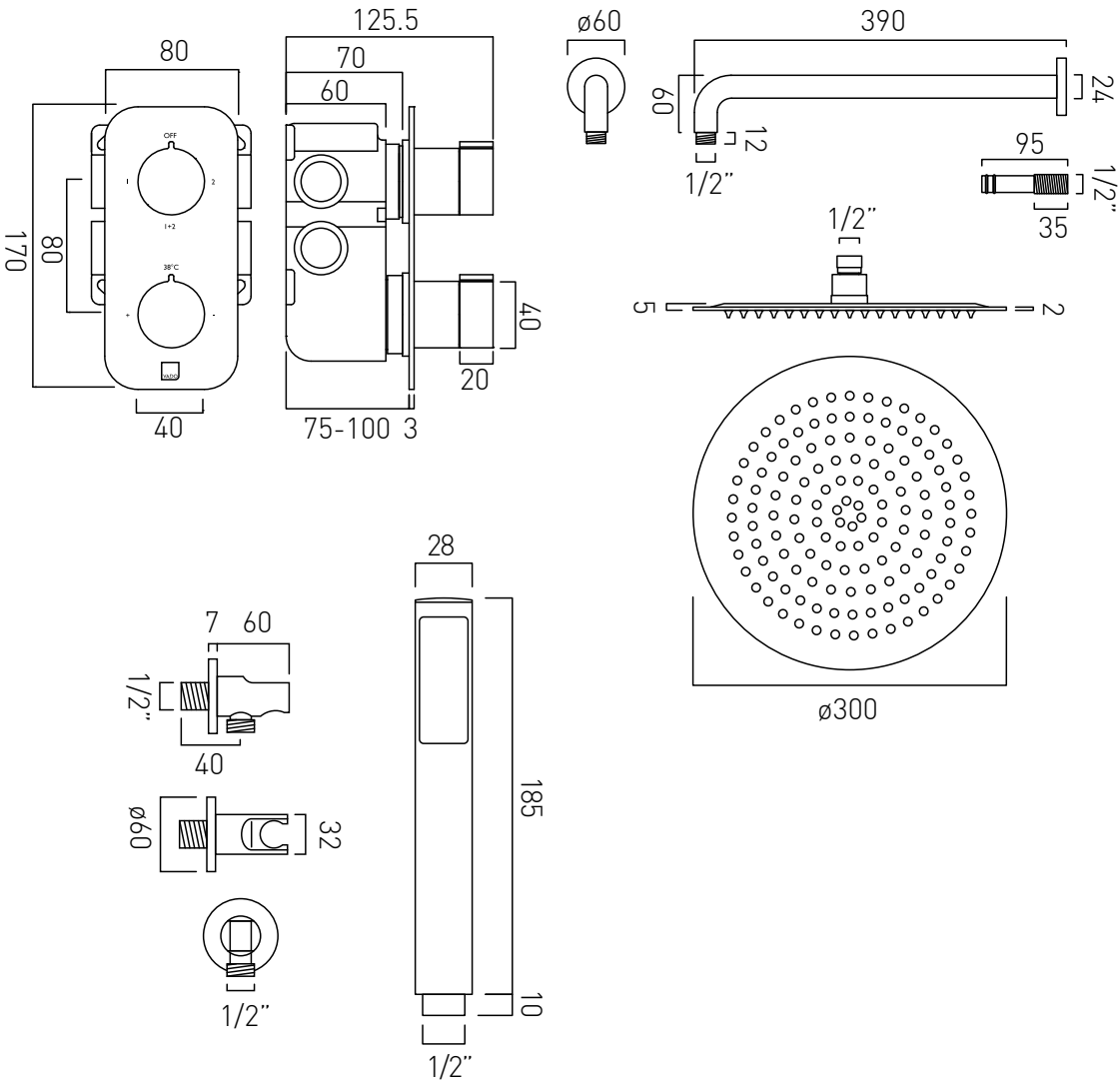


# TECHNICAL DRAWING

**COLLECTION:** SHOWERING PACKAGES

**PRODUCT CODE:** TAB-1721/ALT-CP



tel: 01934 744466  
 email: sales@vado.com  
 www.vado.com

**where inspiration flows**  
 taps | showering | accessories

