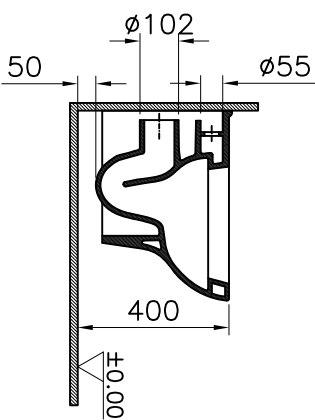
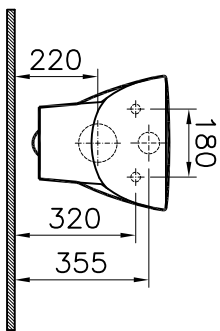
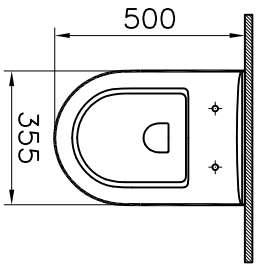


Theoretic Mass(kg)	Revision
Surface Area(dm <sup>2</sup> )	<b>A4</b>

Thread	Hole	Shaft



Item	Quantity	Part Name	Series	Material	Drawing No	Material	Material Class
1	1	Wall Hung WC Pan	ZENTRUM	Ceramic	5785-0075	Ceramic	

This drawing can only be used for the intended purpose. Unauthorised copying is strictly prohibited.

Drawn By	Controlled By	Approved By	Date	Drawing No	Scale
G.SULZER	H.TURKOZ	S.YEDAT SARIKOL	29.08.2013	5785	1/20
Date	NAME				

RS	Description

