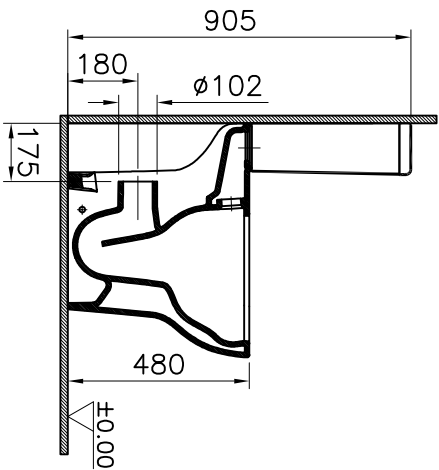
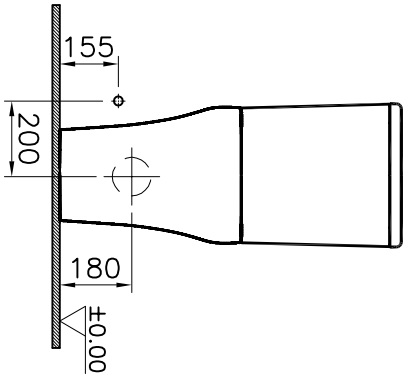
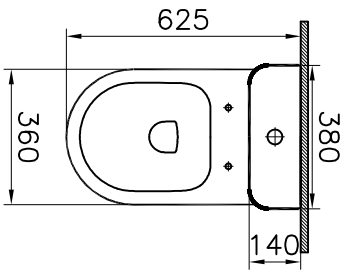


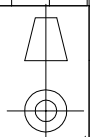
Theoretic Mass(kg)	Revision
Surface Area(dm <sup>2</sup> )	<b>A4</b>

Thread	Hole	Shaft



**PROTOTYPE  
DRAWING**

Item	Quantity	System	Part Name	Series	Material	Drawing No	Material	Material Class
2	1	Comfort Height WC	ZENTRUM		Ceramic	5783-0107	Ceramic	
1	1				Ceramic	5794-0075	Ceramic	



This drawing can only be used for the intended process. Unauthorised copying is strictly prohibited.

Comfort Height WC

ZENTRUM

Material Class

Material Class

RS	Description	Date	NAME

Drawn By	Controlled By	Approved By	Date	Drawing No	Scale
T.TAYAR	V.SARIKOL	S.YEDAT SARIKOL	26.09.2018	5794-5783	1/20

**Vitra® | ARTEMA®**