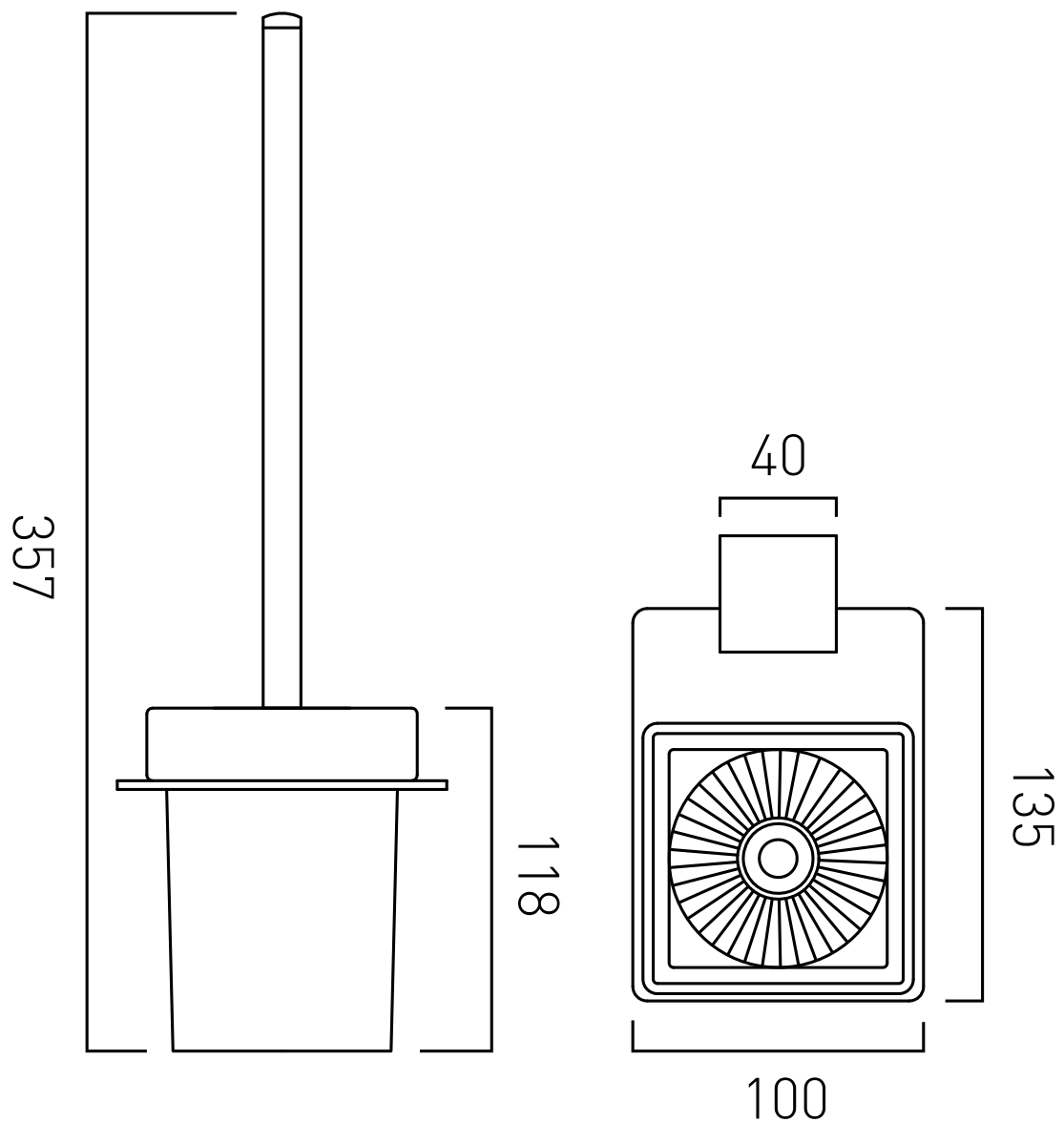


TECHNICAL DRAWING

COLLECTION: PHASE

PRODUCT CODE: PHA-188-C/P



tel: 01934 744466
email: sales@vado.com
www.vado.com

where inspiration flows
taps | showering | accessories

