

# VitrA Optima Double Ended Bath

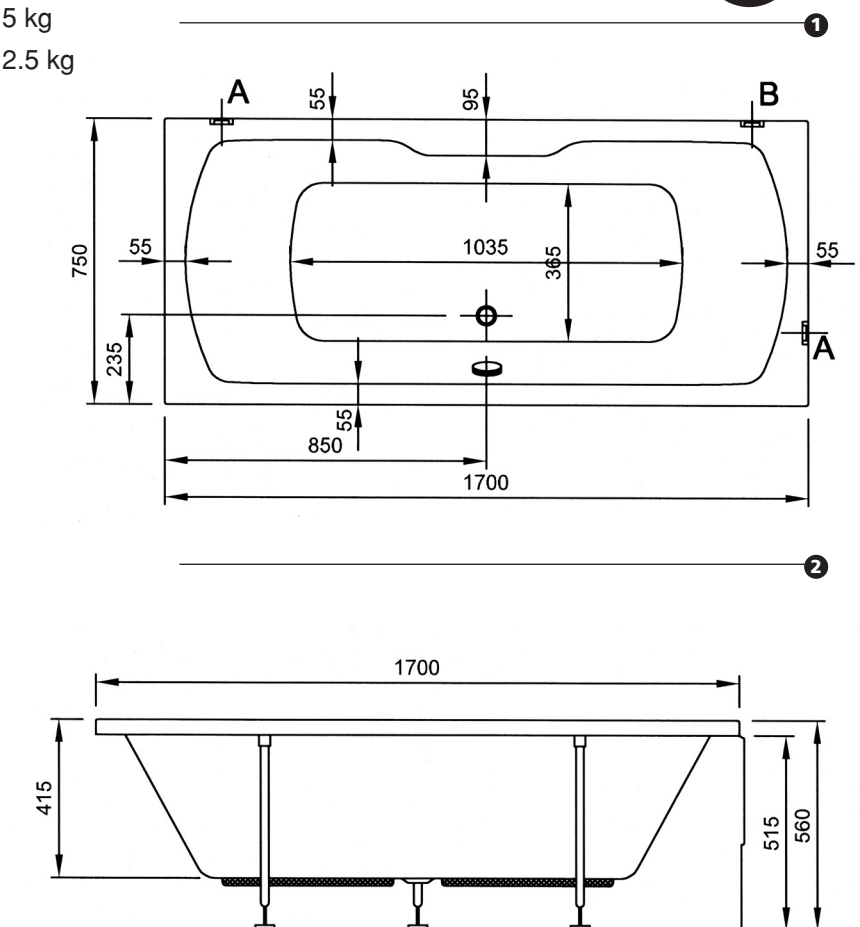
CI/S/B	(74)	
2007		

**Model** : OPTIMA  
**Bath's code** : 524300010..  
**Size** : 1700x750 mm.  
**Volume** : 185 l.  
**Weight** : 21 kg. (without panel)  
**Material** : Acrylic  
**Colours** : White, Pergamon



## Complementary Parts

**Leg set code** : 59990243000  
**Front panel code** : 514800010.. **Weight** : 5 kg  
**End panel code** : 516200010.. **Weight** : 2.5 kg



A: Wall clamp fixing bracket  
 B: Support bracket