

# VitrA Optima 1700 Bath

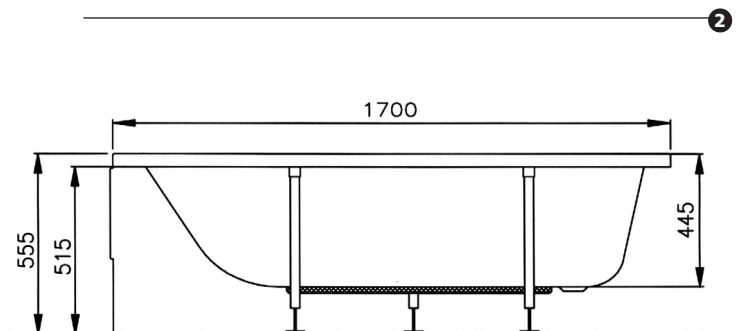
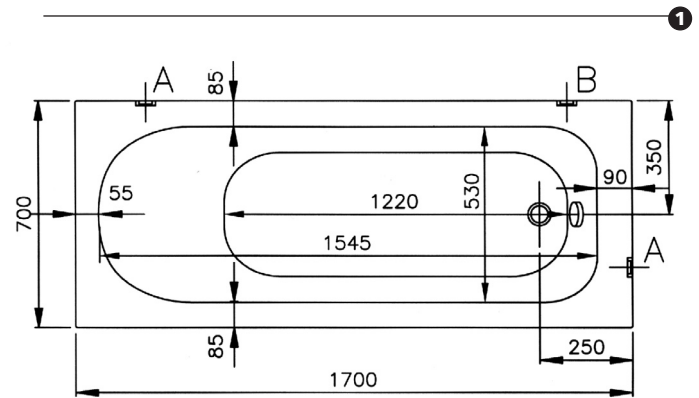
CI/S/B	(74)	
2007		

**Model** : OPTIMA 1700  
 (without whirlpool System)  
**Bath's code** : 508200010..  
**Size** : 1700 x 700 mm.  
**Volume** : 164 l.  
**Weight** : 22 kg. (without panel)  
**Material** : Acrylic  
**Colours** : White, Pergamon



## Complementary Parts

**Leg set code** : 599900380..  
**Front panel code** : 514800010.. **Weight** : 5 kg  
**End panel code** : 516300010.. **Weight** : 2 kg



A: Wall clamp fixing bracket  
 B: Support bracket