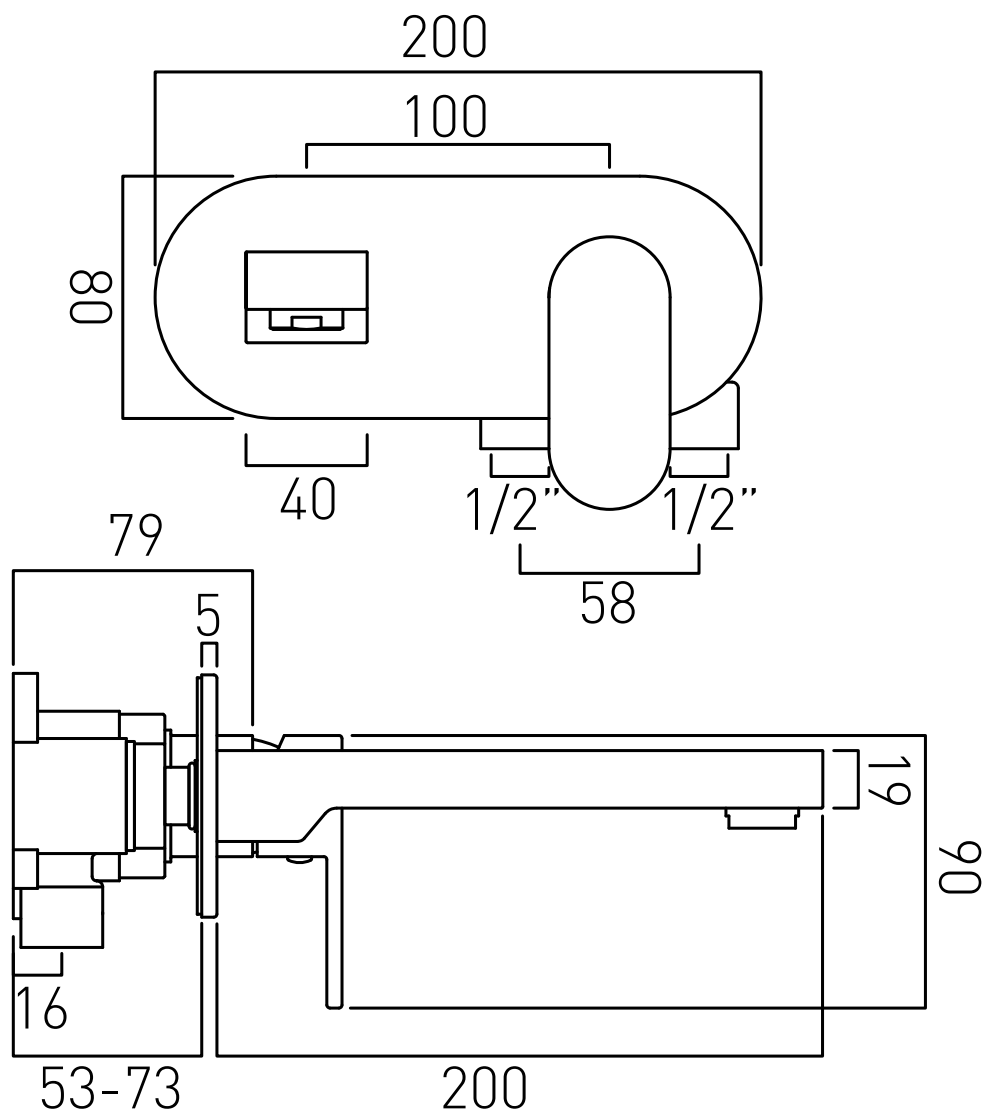


# TECHNICAL DRAWING

**COLLECTION:** LIFE

**PRODUCT CODE:** LIF-109S/A-200-C/P



tel: 01934 744466  
email: [sales@vado.com](mailto:sales@vado.com)  
[www.vado.com](http://www.vado.com)

**where inspiration flows**  
taps | showering | accessories

