

LAUFEN PRO

WC seat and cover, removable, stainless steel hinges



DIMENSIONS

Length	450 mm
Width	380 mm
Height	55 mm

COLOUR AND FINISH

018 Bahamabeige

OPTIONS

000 - standard option

SPECIFICATION TEXT

WC seat and cover Spezial LAUFEN PRO, Duroplast hollow space fixation, removable matching floorstanding WC pan, order no. 82295.2 and wallhung WC pan, order no. 82095.6, 82096.5, 82096.6 Order no. 89695.0

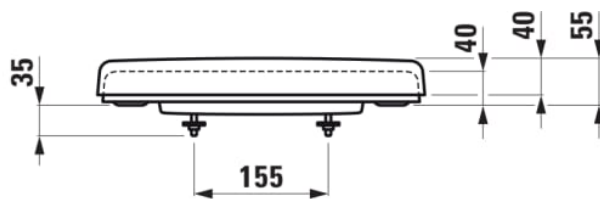
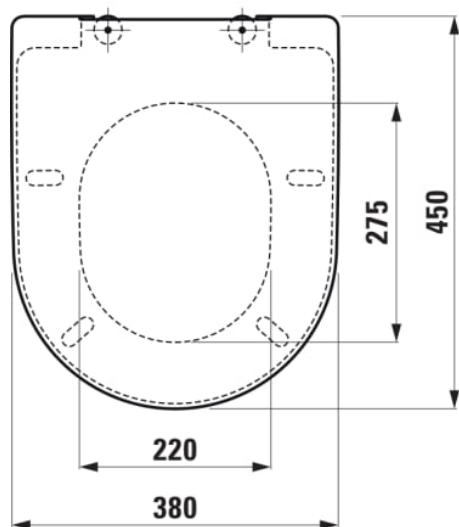
Hinge material : Stainless steel

Net weight (kg) : 1.9

Quick release

S
h
a
p
e
:
R
o
u
n
d

TECHNICAL DRAWINGS



COMPATIBLE WITH



Wall-hung WC
'rimless/compact',
washdown, without flushing
rim

H820965...0001



Wall-hung WC, washdown,
with flushing rim

H820956...0001



Wall-hung WC 'rimless',
washdown, with niches,
without flushing rim

H820964...0001



Wall-hung WC 'rimless',
washdown

H820966...0001



Wall-hung WC 'comfort',
washdown, without flushing
rim, 5 cm raised height

H821962...0001



Floorstanding WC,
washdown, with flushing
rim, outlet
horizontal/vertical

H822952...0001



Floorstanding WC 'rimless',
washdown, without flushing
rim, outlet
horizontal/vertical

H822956...0001

Floorstanding WC close-
coupled, washdown,
rimless, outlet horizontal or
vertical; Open back, Vario
Outlet, vertical 70- 250,
optimized for 4.5/3l
flushing

H8259640000001

Floorstanding WC close-
coupled, washdown,
rimless, outlet horizontal or
vertical; Open back, Vario
Outlet, vertical 70- 250,
optimized for 4.5/3l
flushing

H8259644000001



Floorstanding WC, close-
coupled, washdown,
rimless, outlet horizontal or
vertical

H825962...0001



Floorstanding WC, close-
coupled, washdown,
rimless, outlet horizontal or
vertical

H825962...2311



Floorstanding WC, close-
coupled, washdown, with
flushing rim, outlet
horizontal/vertical

H825952...0001



Floorstanding WC, close-coupled, washdown, with flushing rim, outlet horizontal/vertical

H825952...2311



Floorstanding WC, washdown, rimless, outlet horizontal or vertical

H823081...0001



LAUFEN PRO

LAUFEN pro is a comprehensive bathroom range, which offers the ideal solution for every spatial situation and requirement and also reflects the building values of the current generation. Industrial design is the modern answer to the once revolutionary idea that everyone has a right to enjoy beautiful forms. Good design is now no longer a right reserved for the most affluent customers. Modern methods of industrial production and designers such as Peter Wirz of Vetica, who put optimum manufacturing feasibility at the forefront of their creative processes, make such sanitary ware ranges as LAUFEN pro possible. This does not just benefit the designer, more importantly, it also benefits the customer.

