

**PALOMBA COLLECTION**

**PALOMBA COLLECTION / INO Wall-hung bidet**



**DIMENSIONS**

Length	540 mm
Width	360 mm
Height	265 mm

**COLOUR AND FINISH**

□ 000 White

**OPTIONS**

304 - with one tap hole at centre, two lateral holes for water connection

**SPECIFICATION TEXT**

Charge 304 – 1 centre tap hole

**MOUNTING ACCESSORIES INCLUDED**

laufen EasyFit system M12, order no. 89282.7

**MOUNTING ACCESSORIES EXCLUDED**

Stone screw fastening kit M12

Fixing kit : Included

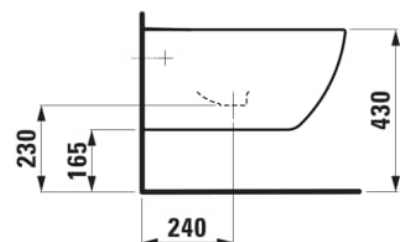
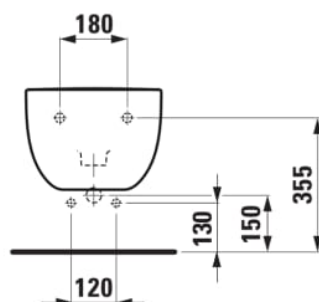
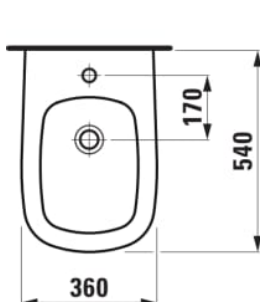
Net weight (kg) : 18.5

Tap hole configuration : 1 tap hole

Installation type : Wall-hung

Shape : Round

**TECHNICAL DRAWINGS**



## PALOMBA COLLECTION

The design of the LAUFEN PALOMBA COLLECTION recalls small inlets or pebbles shaped by the eternal movement of the sea, expertly transformed into ceramic. All elements of the collection harmonise with one another as each one of them bears the signature of the Italian designer couple, Ludovica+Roberto Palomba.

