

SONAR

Wall-hung bidet



DIMENSIONS

| | |
|--------|--------|
| Length | 540 mm |
| Width | 370 mm |
| Height | 300 mm |

COLOUR AND FINISH

| | |
|--------------------------|-----------|
| <input type="checkbox"/> | 000 White |
|--------------------------|-----------|

OPTIONS

302 - with one tap hole, without lateral mounting hole for water inlet

SPECIFICATION TEXT

Charge 302 – 1 centre tap hole without lateral holes

MOUNTING ACCESSORIES INCLUDED

laufen EasyFit system M12, order no. 89282.7

MOUNTING ACCESSORIES EXCLUDED

Siphon D40, order no. 89394.8 Stone screw fastening kit M12

Fixing kit : Included

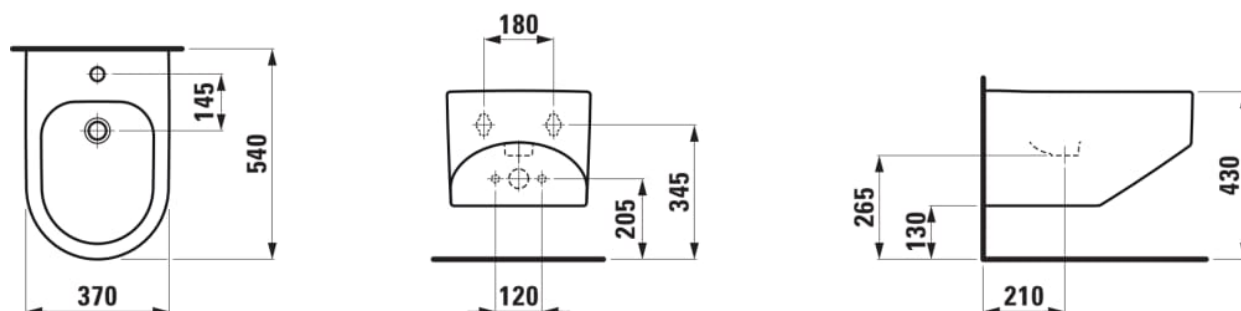
Net weight (kg) : 18

Taphole configuration : 1 taphole

Installation type : Wall-hung

Shape : Round

TECHNICAL DRAWINGS





SONAR

The internationally acclaimed and eclectic designer Patricia Urquiola reveals the third generation of LAUFENs Saphirkeramik - she is taking this extraordinary material with great sensitivity into a third dimension - creating this new collection with the name: SONAR.

