

LAUFEN PRO

Floorstanding WC 'comfort', close-coupled, washdown, with flushing rim, outlet horizontal/vertical



DIMENSIONS

Length	700 mm
Width	360 mm
Height	480 mm

COLOUR AND FINISH

<input type="checkbox"/>	000 White
--------------------------	-----------

OPTIONS

000 - standard option

SPECIFICATION TEXT

Floorstanding WC pan washdown LAUFEN PRO, sanitary ceramic, for cistern, EN 997, EN 33, 6/3-l-flush, dimensions 360 x 700 x 480 mm, outlet horizontal, VARIO vertical 70 - 305 mm, back to wall, concealed fixation, length 700 mm, ceramic height 460 mm, 2 fixing holes, Special feature: concealed surfaces directing water are fully glazed, throughout, closed water rim, vacuum checked, Further options / accessories: Surface refinement LCC (only white), 4 fixing holes, 2 fixing holes and lateral holes, cistern 82695.0, 82695.2, 82695.3, 82695.5, WC seat 89295.0, 89395.4, WC seat and cover, 89195.0, 89295.1, 89395.2, WC seat and cover with automatic lowering, 89195.1, 89395.3, Order no. 82495.5

MOUNTING ACCESSORIES INCLUDED

Charge 000/231 – 1x Fixing set, Charge 204 – 2x Fixing set, order no. 89175.7

Back-to-wall

Installation type : Floor-standing

Shape : Round

Cistern type : Low

Net weight (kg) : 30.5

Style : Neutral

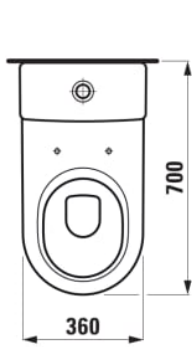
Fixing kit : Included

Outlet type : Dual

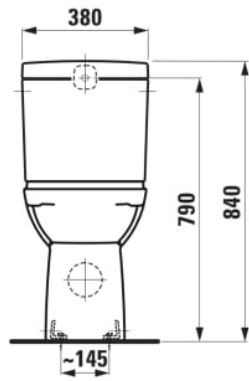
Flushing system : Washdown

Rim type : Open

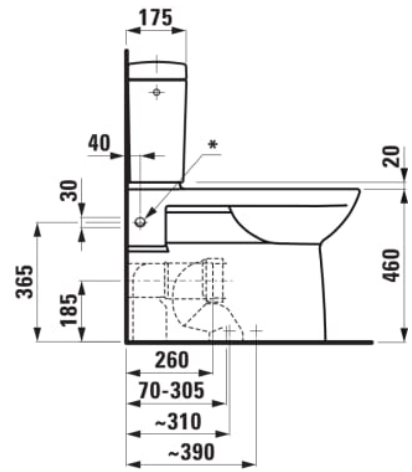
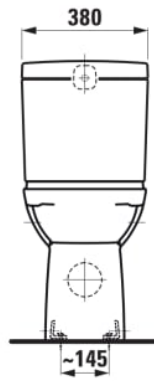
TECHNICAL DRAWINGS



Charge 000/204



Charge 231



* = Only Charge 231 (Charge 000 without hole)

COMPATIBLE WITH



WC seat and cover,
removable, with lowering
system, Chrom hinges

H891601...0001



WC seat and cover

H892951...0001



WC seat and cover
'universal', removable, with
lowering system

H893958...0001



WC seat and cover, 'slim'

H8989600...001



WC Seat and cover, 'slim',
removable, stainless steel
hinges

H898965...0001



WC seat and cover,
removable, with lowering
system, Chrom hinges

H898966...0001



LAUFEN PRO

LAUFEN pro is a comprehensive bathroom range, which offers the ideal solution for every spatial situation and requirement and also reflects the building values of the current generation. Industrial design is the modern answer to the once revolutionary idea that everyone has a right to enjoy beautiful forms. Good design is now no longer a right reserved for the most affluent customers. Modern methods of industrial production and designers such as Peter Wirz of Vetica, who put optimum manufacturing feasibility at the forefront of their creative processes, make such sanitary ware ranges as LAUFEN pro possible. This does not just benefit the designer, more importantly, it also benefits the customer.

