

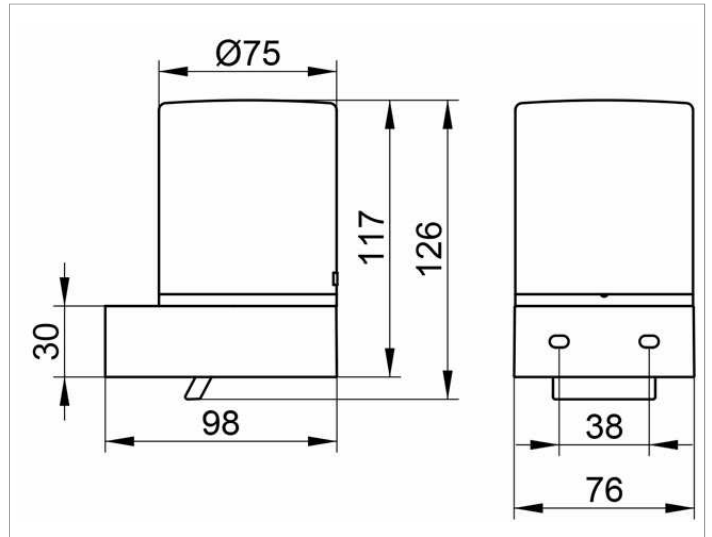
Edition 300

30052019000 Lotion dispenser

PRODUCT



DRAWING



PRODUCT ATTRIBUTES

crystal glass matt,
complete with holder and pump
Capacity: approx. 180 ml
Dosage: approx. 0,5ml/stroke

SURFACE

chrome-plated

SPECIFICATIONS

KEUCO EDITION 300 lotion dispenser 30052019000, for wall installation (180 ml)
chrome-plated lotion dispenser in aesthetic and classic design
wall mounted model complete with a removable crystall glass,
for easy cleaning and filling,
a high-class and long-lasting pump,
capacity: 180 ml, for standard liquid soap,
dosage: appox, 0,5 ml/stroke,
base diameter: 67 mm, height 126 mm,
projection: 98 mm
The lotion dispenser is fitted with 2 hidden fixing points
2 wall plugs, Fischer FU 6 x 45 mm and 2 wall screws are supplied