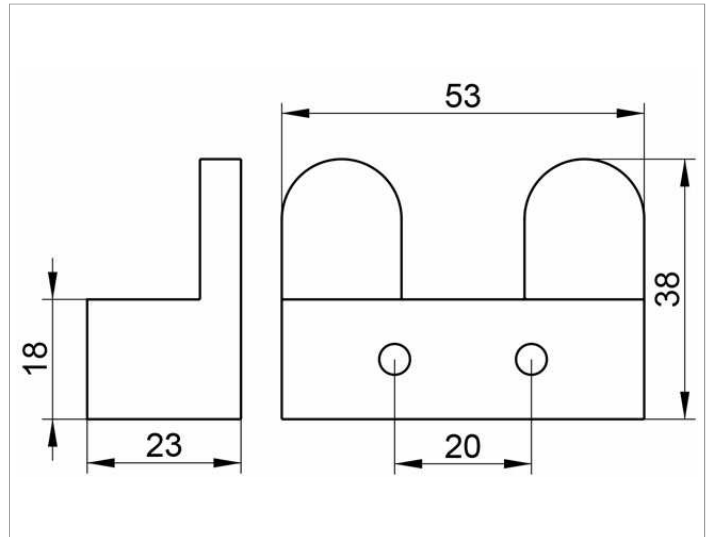


Edition 300
30015010000 Towel hook

PRODUCT



DRAWING



PRODUCT ATTRIBUTES

double

SURFACE

chrome-plated

SPECIFICATIONS

KEUCO EDITION 300 towel hook, double, 30015010000
chrome plated towel hook in an aesthetic and classic functional design
depth 23 mm
The towel hook is fitted with 2 hidden fixing point
2 wall plug, Fischer FU6x45 mm and 2 wall screw are supplied