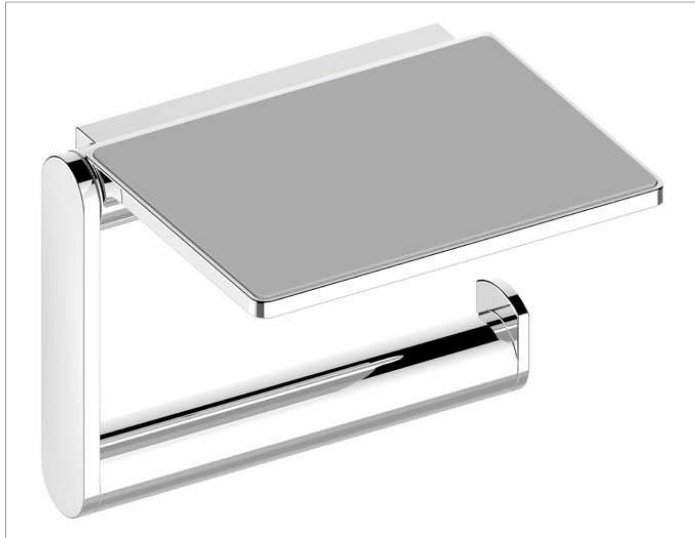


**Plan**  
**14973010000 Toilet paper holder**

**PRODUCT**



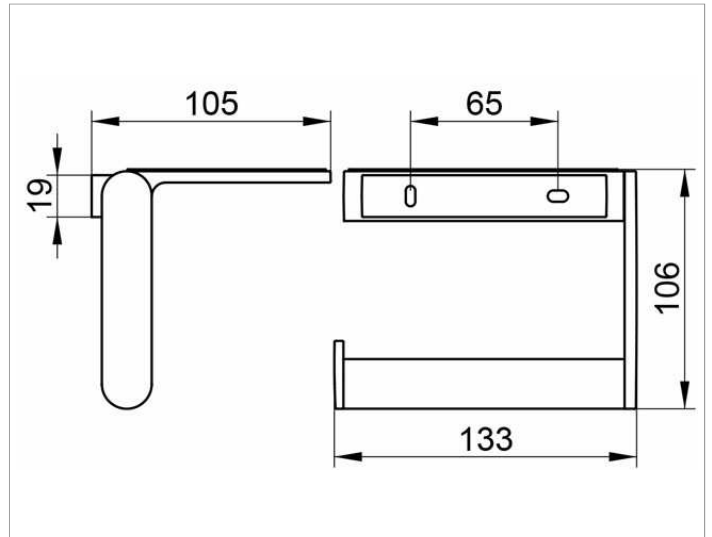
**PRODUCT ATTRIBUTES**

with shelf, open form  
 for 100/120 mm wide paper rolls  
 with anti-slip insert in grey

**SURFACE**

chrome-plated

**DRAWING**



**SPECIFICATIONS**

KEUCO PLAN Toilet Paper Holder With Shelf 14973010000  
 High gloss chrome-plated toilet paper holder, for roll width 3-15/16" / 4-3/4",  
 shelf option with gray anti-slip overlay made of rubber,  
 e.g. for mobile phones and accessories,  
 in an aesthetic, functional design, open design,  
 width 5-1/4", height 4-3/16", projection 4-1/8"  
 the toilet paper holder is concealed  
 Delivery incl. corrosion-free mounting material