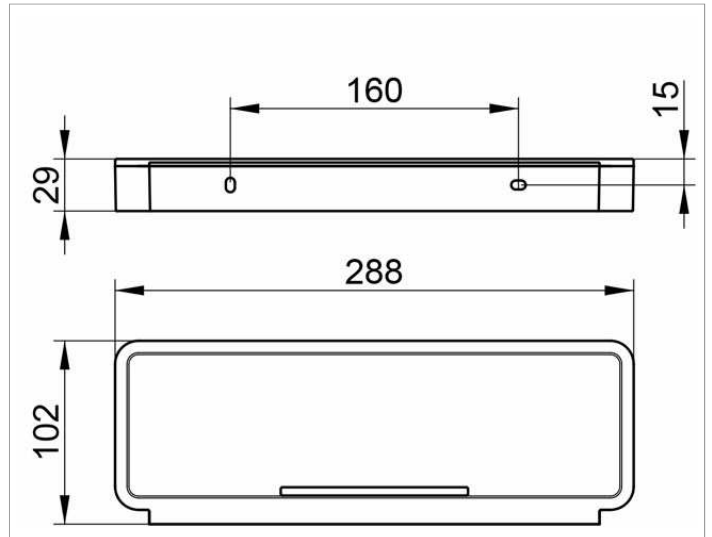


Plan
14958010037 Shower basket

PRODUCT



DRAWING



PRODUCT ATTRIBUTES

two parts: metal bracket and detachable synthetic insert, soap resistant, shutterproof, uv-protected

SURFACE

chrome-plated/dark grey (RAL 7021)