

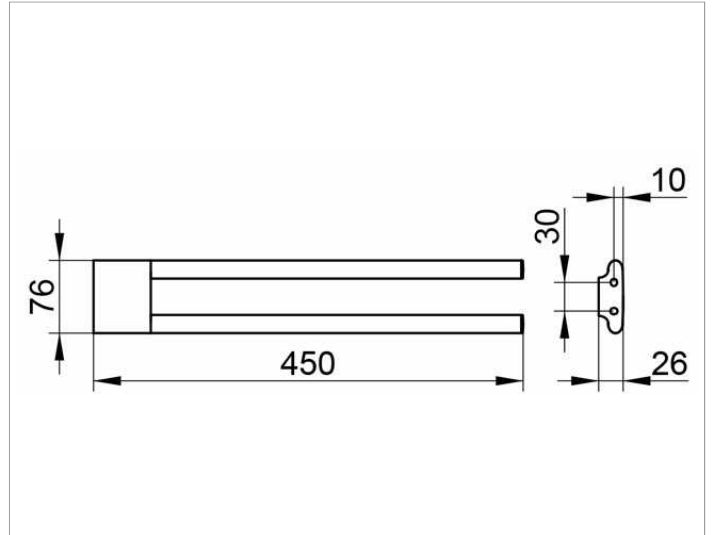
Edition 400

11518010000 Towel holder

**PRODUCT**



**DRAWING**



**PRODUCT ATTRIBUTES**

fixed

**SURFACE**

chrome-plated

**DIMENSION**

450 mm

**SPECIFICATIONS**

KEUCO Edition 400 towel holder, 11518010000  
 chrome-plated towel holder, 2 pieces,  
 sculptural design,  
 with slightly rounded edges,  
 two side by side,  
 fixed arms, made of oval tubes,  
 antistatic, easy to clean,  
 depth 450 mm, width 76 mm, height 26 mm,  
 the towel holder is fitted concealed,  
 delivery included anti-corrosion fixings