

# SPECIFICATION SHEET

**COLLECTION:** ELEMENTS

**PRODUCT CODE:** ELW-100F/CC-C/P



## DESCRIPTION:

mono basin mixer  
deck mounted  
with swivel spout  
smooth bodied  
with universal basin waste  
with water flow aerator  
cold ceramic cartridge C-206-RTC  
hot ceramic cartridge C-206-LTC  
2 x 1/2" nut x 400mm flexipipe connections  
deck mount drill hole diameter 35mm  
minimum operating pressure 0.2 bar LP

## FINISH:

Chrome

## FLOW REGULATOR:

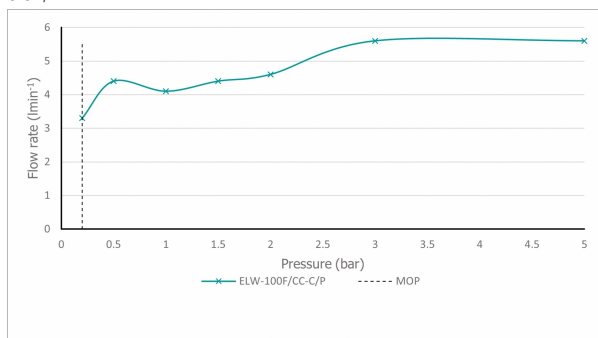
FR-100/5-PLA

## MINIMUM OPERATING PRESSURE:

0.2 bar LP

## FLOW RATE AT 3.0 BAR FLOW PRESSURE:

5.6 l/m



15 year guarantee

tel: 01934 744466  
email: sales@vado.com  
www.vado.com

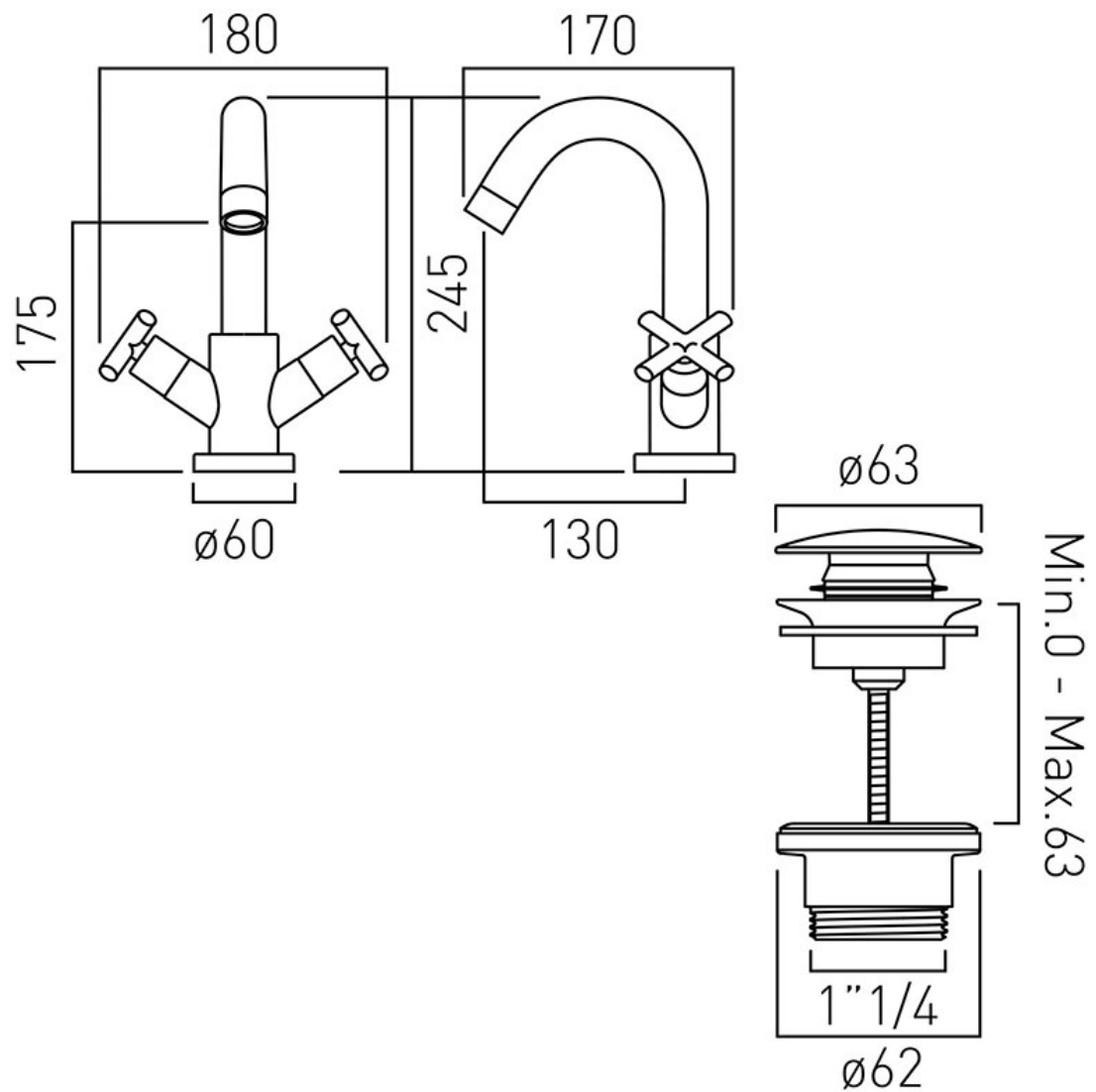
**where inspiration flows**  
taps | showering | accessories



# TECHNICAL DRAWING

**COLLECTION:** ELEMENTS

**PRODUCT CODE:** ELW-100F/CC-C/P



tel: 01934 744466  
email: sales@vado.com  
www.vado.com

**where inspiration flows**  
taps | showering | accessories

