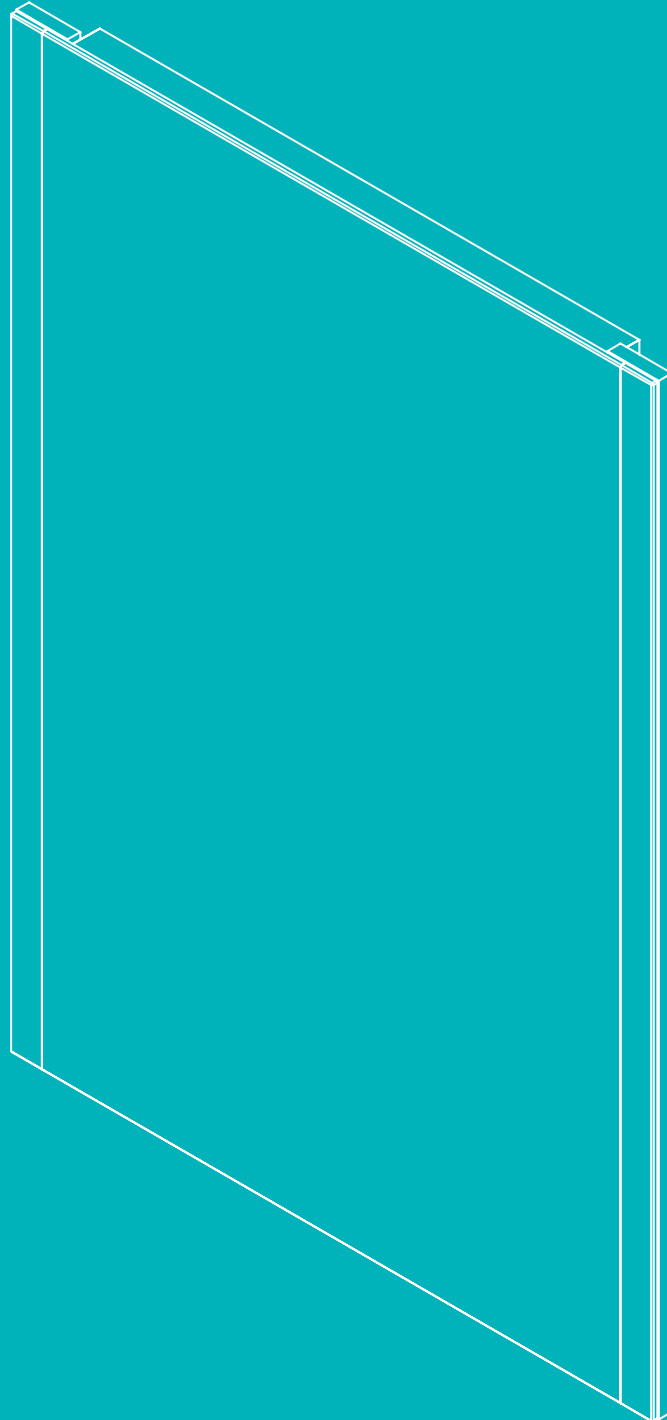


HiB

MAKING
BATHROOMS
BEAUTIFUL

**Technical Drawing &
FAQ Data Sheets**



Beam 50

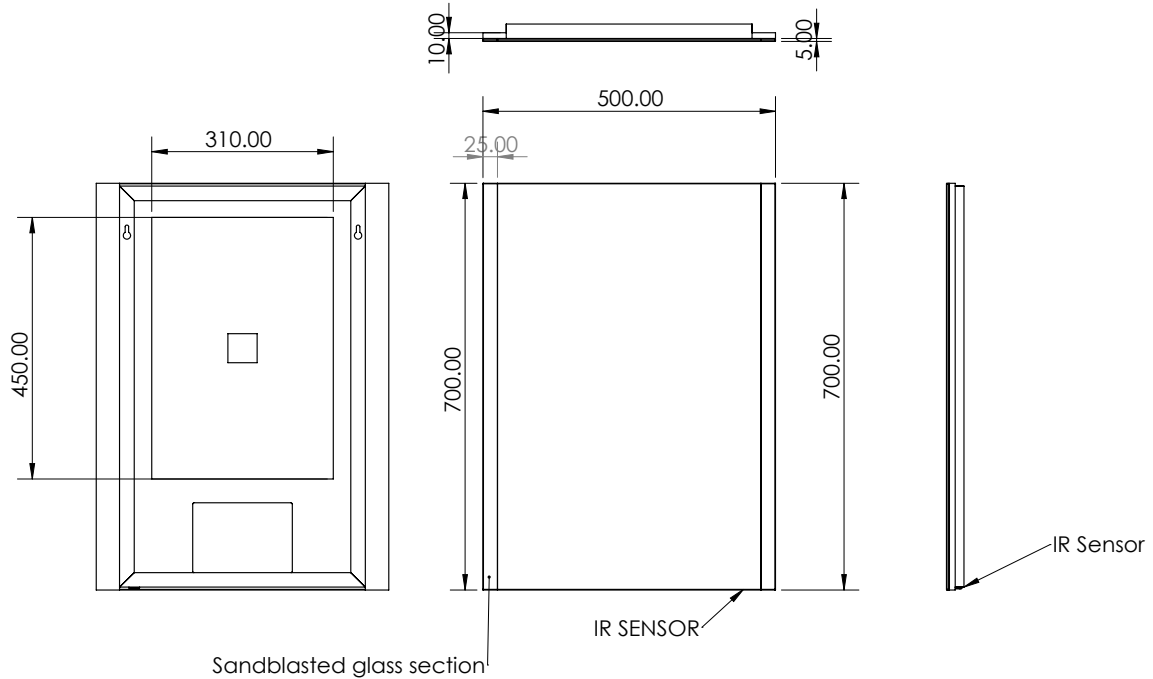
Beam 60

Beam 80

HiB recommend you receive the product before commencing with installation as all sizes and measurements are approximate. HiB try and ensure all measurements are as accurate as possible. In the interest of continuous product development, HiB reserves the right to alter specification as necessary. E & OE.

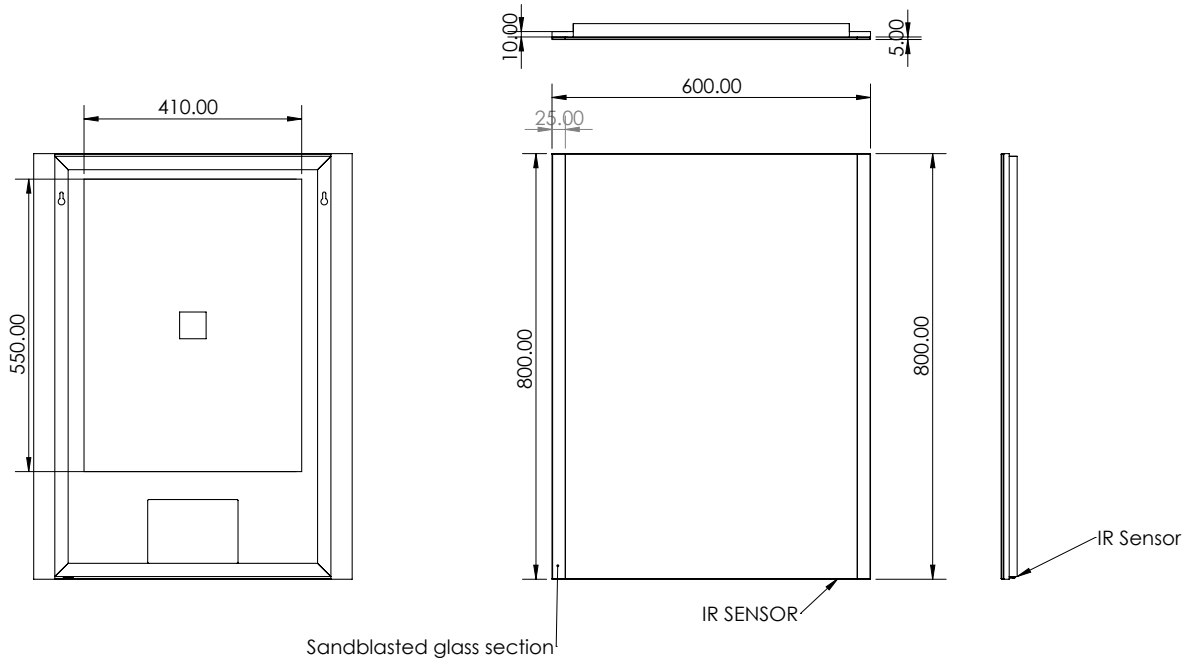
Beam 50

Art no. 79550500



Beam 60

Art no. 79550600



Electrical Safety Information

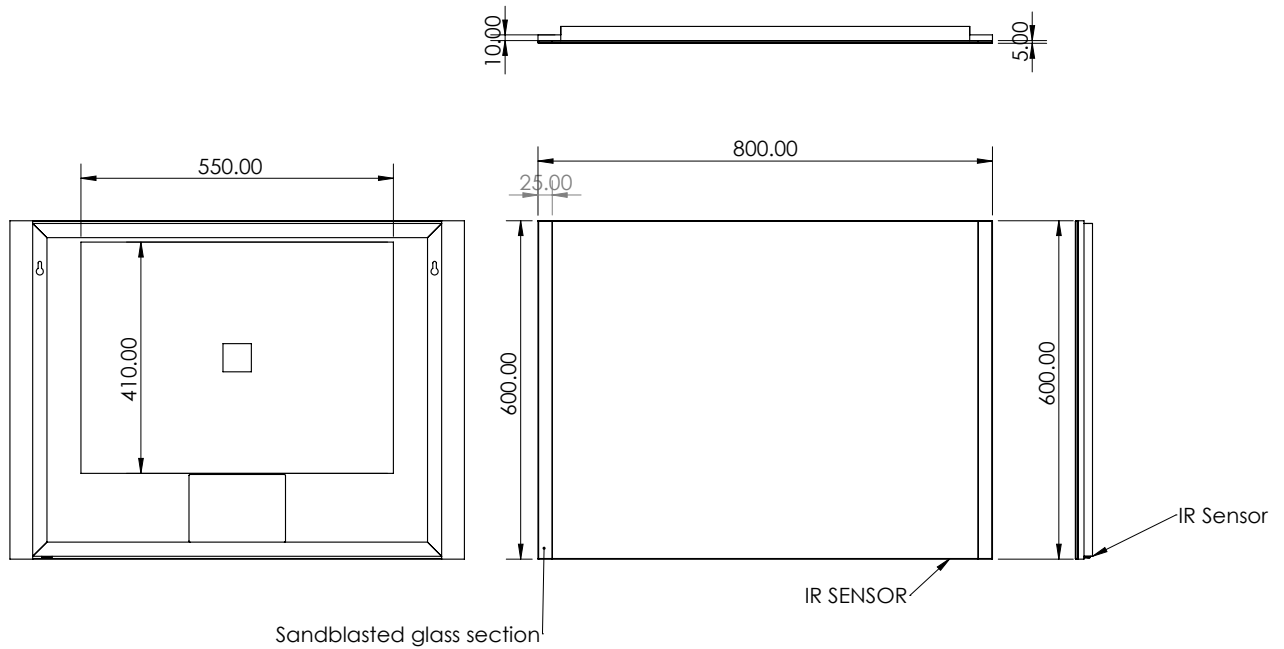
HiB recommends that all electrical bathroom products should only be fitted by a suitably qualified, Part P registered electrician in accordance with current IEE regulations.

- 2 Ensure mains power supply is switched off before starting installation.
- Before drilling, ensure there are no hidden cables or pipes in the wall.

HiB recommend you receive the product before commencing with installation as all sizes and measurements are approximate.
HiB try and ensure all measurements are as accurate as possible.
In the interest of continuous product development, HiB reserves the right to alter specification as necessary. E & OE.

Beam 80

Art no. 79550700



Electrical Safety Information

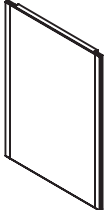
HiB recommends that all electrical bathroom products should only be fitted by a suitably qualified, Part P registered electrician in accordance with current IEE regulations.

Ensure mains power supply is switched off before starting installation.

Before drilling, ensure there are no hidden cables or pipes in the wall.

Beam

50, 60 & 80

		Version No. 12.07.2019
	Product	Beam 50, 60, & 80
	Art. No.	Beam 50: 79550500, Beam 60: 79550600 , Beam 80: 79550700,
	Product Description	Featuring striking sensor-operated side lighting, Beam brings a vibrant glow to the bathroom.

Question	Answer
Nett weight (kg)	Beam 50: 7.65kg / Beam 60: 7.75kg / Beam 80: 8.7kg
Light Source	LED
Light Source Average Lifespan	Average: 20,000 hr
Total Rated Wattage (W)	Beam 50: 45w / Beam 60: 46.5w / Beam 80: 46.5w
Lumens (Lm)	Beam 50: 1008lm / Beam 60: 1152lm / Beam 80: 1152lm
Kelvins (k)	Beam 50: 6400k / Beam 60: 6400k / Beam 80: 6400k
Is the mirror dimmable?	No
Energy Rating	A ++ Class
What orientation can the mirror be hung in?	Beam 50, 60, PORTRAIT only Beam 80 LANDSCAPE only
Is the heated pad only on when the mirror is illuminated?	Yes
Does the mirror require an earth connection?	Yes
Can I bypass the sensor so the mirror comes on with the main room light?	Yes
Is it cool white or warm white illumination?	Cool white
How long is the warranty?	5 years from date of purchase on silvering coating on mirror 2 years from date of purchase on electrical components in the mirror

Electrical Safety Information

HiB recommends that all electrical bathroom products should only be fitted by a suitably qualified, Part P registered electrician in accordance with current IEE regulations.

Ensure mains power supply is switched off before starting installation.

Before drilling, ensure there are no hidden cables or pipes in the wall.

HiB recommend you receive the product before commencing with installation as all sizes and measurements are approximate.

HiB try and ensure all measurements are as accurate as possible.

In the interest of continuous product development, HiB reserves the right to alter specification as necessary. E & OE.