

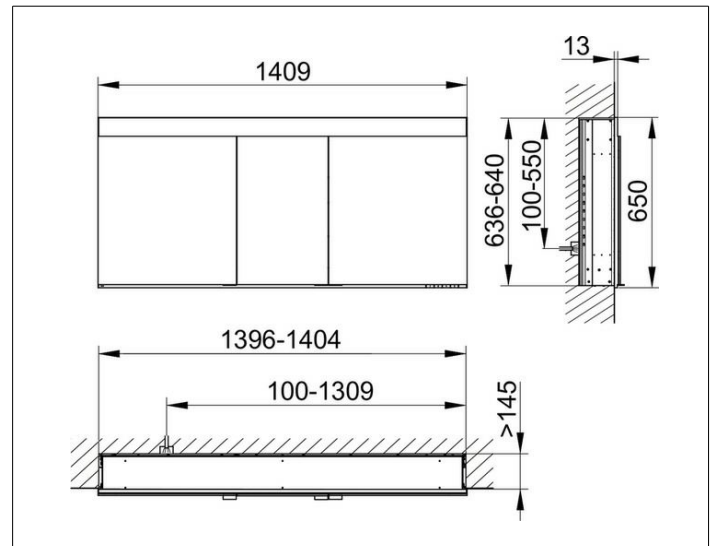
Edition 400

21503171331 Mirror cabinet

**PRODUCT**



**DRAWING**



**PRODUCT ATTRIBUTES**

for recessed installation,  
 adjustable light colour from 2700 kelvin (warm white)  
 to 6500 kelvin (daylight),  
 3 hinged double sided crystal mirrored doors,  
 Body: aluminium silver anodized  
 interior rear wall mirrored  
 Operation:  
 key panel with capacitive touch sensor,  
 integrated extension function for e.g. lighth switch  
 Illumination:  
 LED 52 watt (lifespan > 30.000 hours)  
 infinitely dimmable  
 EEK: C , 52 kWh/1000h

**EQUIPMENT**

- 1 shaver socket
- 2 x 3 adjustable glass shelves
- 2 storage boxes with slidable glass lid
- interior lighting
- soft-closing doors

**SURFACE**

silver anodized

**DIMENSION**

1410 x 650 x 154 mm