

SPECIFICATION SHEET

COLLECTION: ELECTRIC SHOWERS

PRODUCT CODE: ELS-ELE-85-MET



DESCRIPTION:

a fashion-led, modern design electric shower with soft press illuminated buttons, start/stop switch, power on indicator, low pressure indicator and phased shutdown feature which helps to reduce limescale build-up
supplied complete with slide rail kit
anti-kink chrome hose
easy clean shower head with 5 spray patterns
colours available:
bronze
black speckled
grey
metallic
8.5kW and 9.5kW versions available
2 year guarantee
cold feed easy plumb installation
BEAB, CE and BS approved

FINISH:

Metallic

MINIMUM OPERATING PRESSURE:

1.0 bar MP



tel: 01934 744466
email: sales@vado.com
www.vado.com

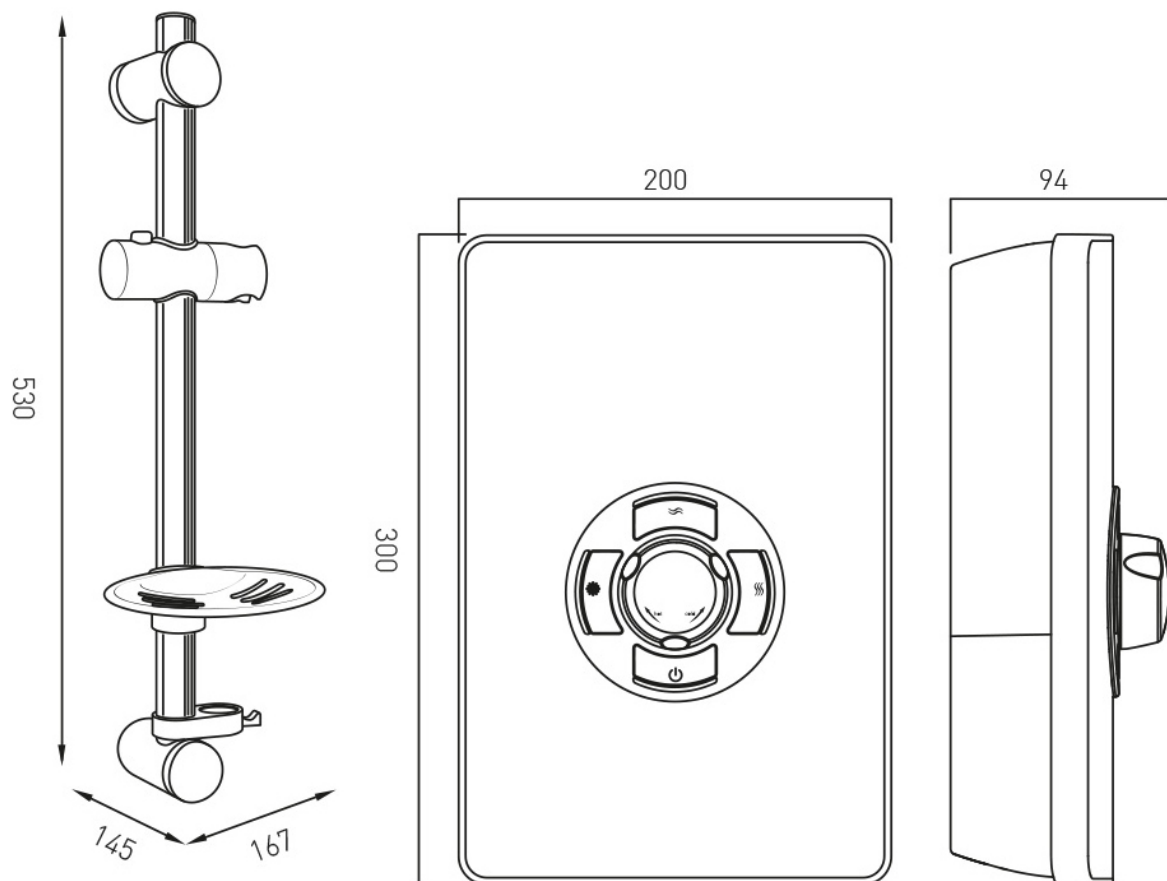
where inspiration flows
taps | showering | accessories



TECHNICAL DRAWING

COLLECTION: ELECTRIC SHOWERS

PRODUCT CODE: ELS-ELE-85-MET



tel: 01934 744466
email: sales@vado.com
www.vado.com

where inspiration flows
taps | showering | accessories

