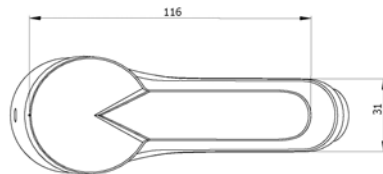
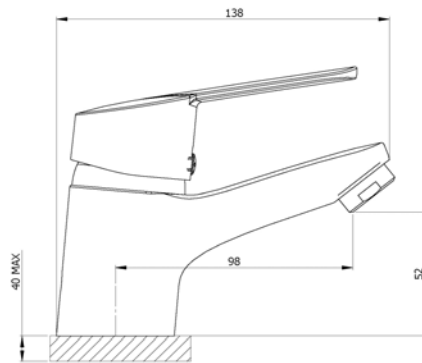
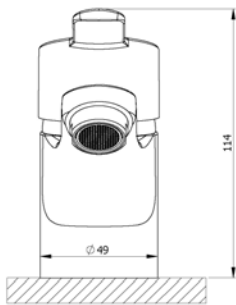




Francis Pegler
BY COMAP

ARAYA

4S1205 – MONO BASIN MIXER



Specification

Finish	Chrome
Body	Brass
Fittings	Metal plate, washer, stud & locking nut
Connection	M10 – DN8 flexible hoses with ½" BSP threaded ends
Min dynamic pressure	0.1
Max dynamic pressure	6
Max static pressure	16
Max water temperature	60°C

Flow rates

Pressure	0.1	0.5	1	3
L/min	2.4	8.8	13.2	24.4

All Pressures are in Bar.
Dimensions supplied are nominal and subject to tolerance.
Inclusion of aerator (if supplied) or restrictors (sold separately unless stated) will affect flow rate result.
Performance details are based on trials under test conditions and for guidance only.
The Company reserves the right to change product specification without prior notice.

Features & Benefits

 10 YEAR Guarantee	 L Low Pressure	 Flexible Hose	 Flow Straightener
 Flow Aerator	 Single Flow		

Certifications

1501008 - Jan 20	Tested at 0.2 bar