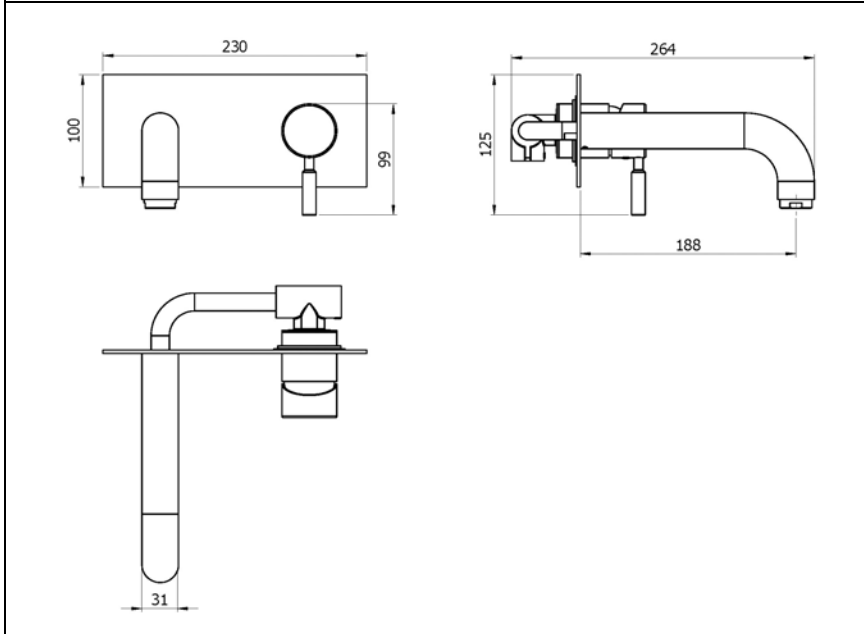




VISIO

4K4010 – WALL CONCEALED BATH FILLER

Francis Pegler
BY COMAP



Specification	
Finish	Chrome
Body	Brass
Fittings	N/A
Connection	½" BSP threaded tail
Min dynamic pressure	0.4
Max dynamic pressure	6
Max static pressure	16
Max water temperature	60°C

Flow rates				
Pressure	0.1	0.5	1	3
L/min	2.6	10.5	15.4	28.1

All Pressures are in Bar.
 Dimensions supplied are nominal and subject to tolerance.
 Inclusion of aerator (if supplied) or restrictors (sold separately unless stated) will affect flow rate result.
 Performance details are based on trials under test conditions and for guidance only.
 The Company reserves the right to change product specification without prior notice.

Features & Benefits

 10 YEAR Guarantee	 H High Pressure	 Flow Straightener	 Single Flow

Certifications

Tested at 3 bar	

