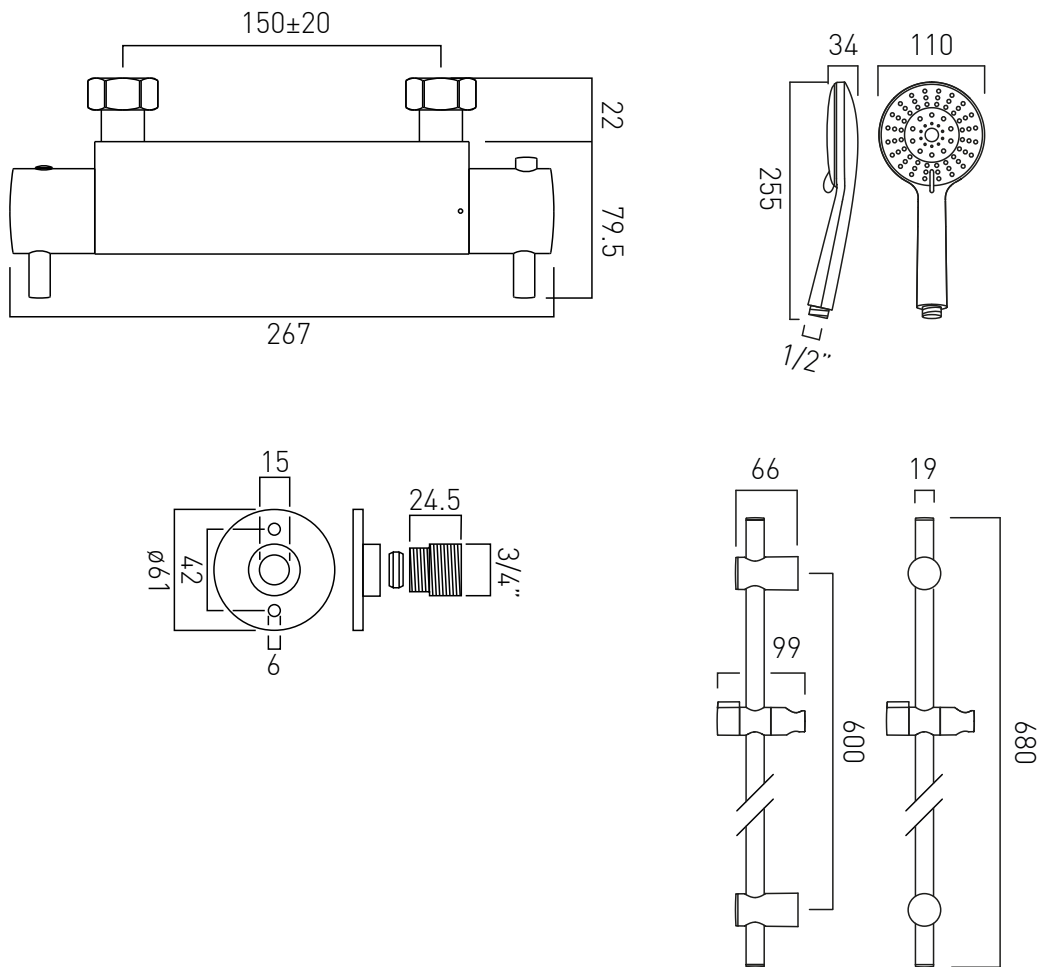


# TECHNICAL DRAWING

**COLLECTION:** SHOWERING PACKAGES  
**PRODUCT CODE:** CEL-1701-3/4-11-C/P



tel: 01934 744466  
email: sales@vado.com  
www.vado.com

**where inspiration flows**  
taps | showering | accessories

