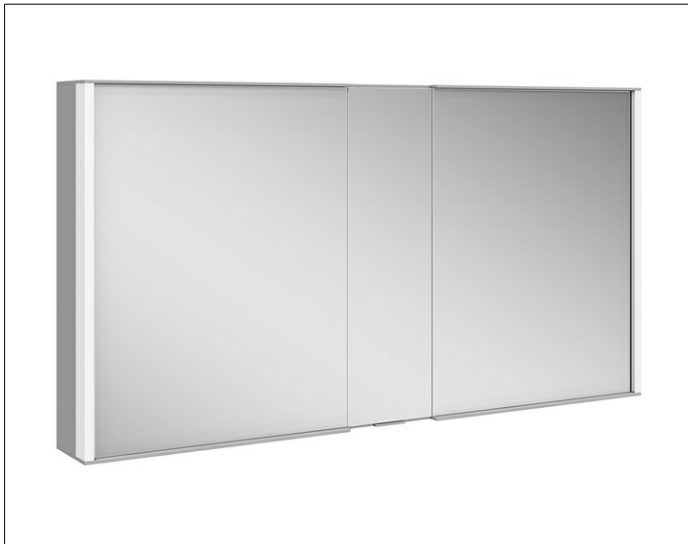


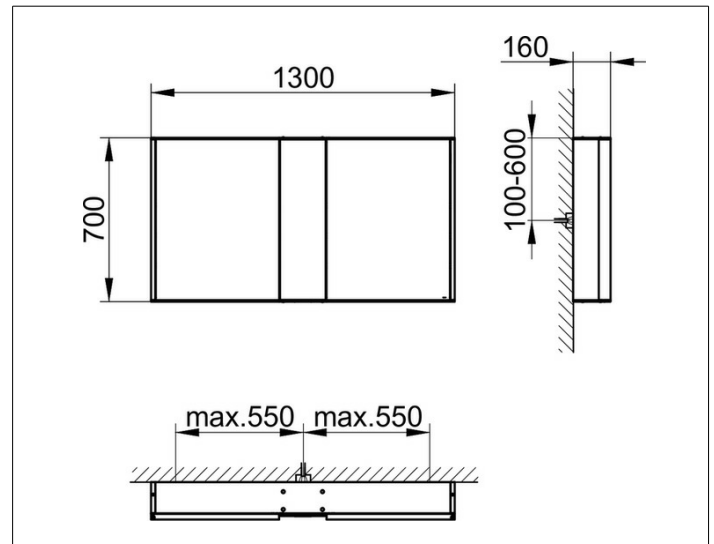
**Royal Match**

**12805171331 Mirror cabinet**

**PRODUCT**



**DRAWING**



**PRODUCT ATTRIBUTES**

wall mounted,

1 fixed mirror unit (centric)

2 hinged double sided crystal mirror doors,

body in aluminium silver anodized,

rear panel in back-lacquered white glass

Operation:

control panel with capacitive touch sensor,

optional to be operated via the light switch

Illumination:

LED 2 x 12,5 watt (lifespan > 30.000 hours),

light colour 3000 kelvin (warm white),

infinitely dimmable

EEK: C , 25 kWh/1000h

**EQUIPMENT**

- 1 shaver socket (internal)

- 2 x 3 adjustable glass shelves

- interior lighting

**SURFACE**

silver anodized

**DIMENSION**

1300 x 700 x 160 mm